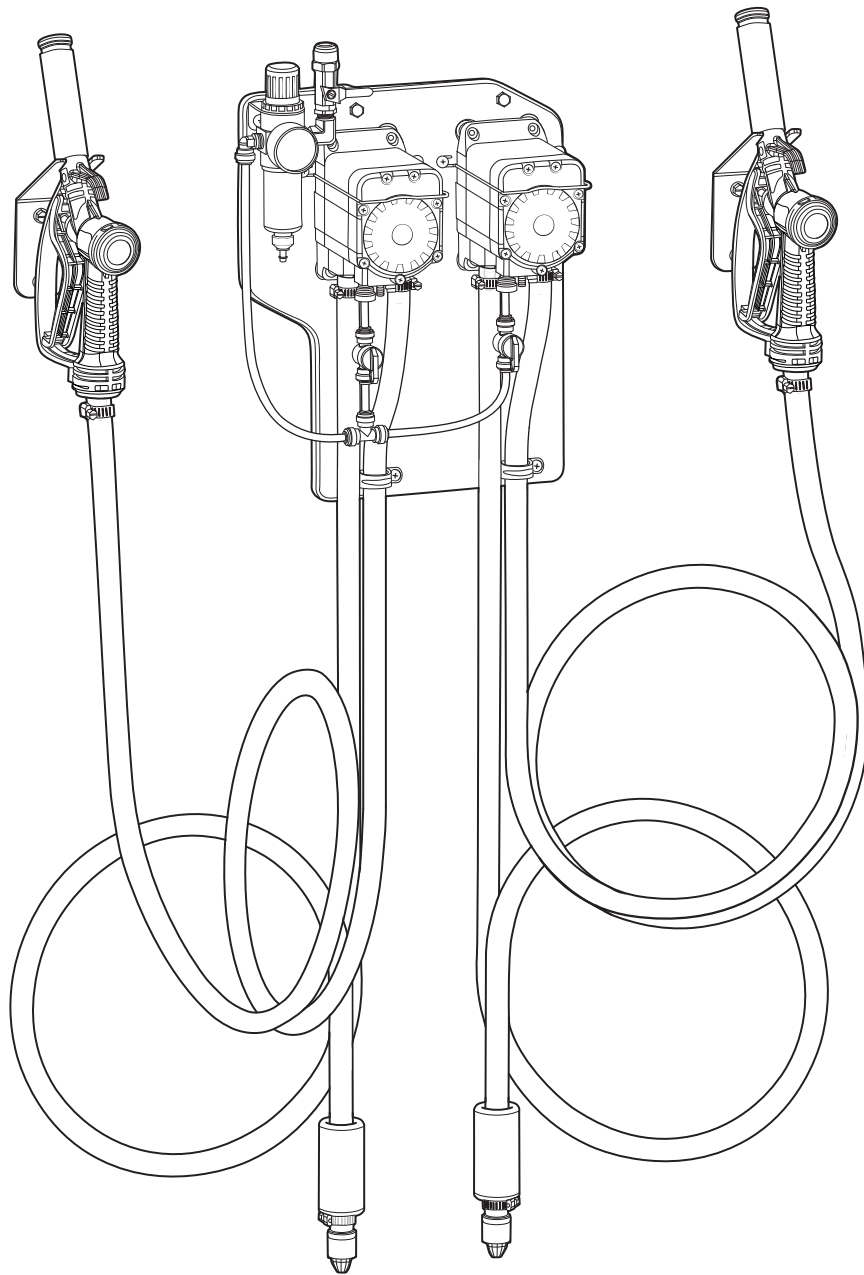


# EZBlend™ Chemical Transfer Unit

## Service Manual

CTX2V-EZB



READ ALL INSTRUCTIONS BEFORE USING OR  
SERVICING THIS UNIT. KEEP THIS MANUAL IN A  
LOCATION THAT IS READILY AVAILABLE TO USERS  
AND SERVICE TECHNICIANS.

English (Original Instructions)



Scan this code for  
service manual



# Safety

## **WARNING**

PEOPLE OR OBJECTS CAN BE HURT OR DAMAGED IF THIS UNIT IS NOT USED CORRECTLY!



Failure to read all the instructions before operating the unit may result in personal injury or death from the improper use or the chemical solution. Anyone handling, operating or using the unit must read and understand the instructions in the manual. The buyer assumes all responsibility for safety and proper use in accordance with the instructions.



Using or servicing the unit without appropriate personal protective equipment (PPE) may result in serious injury such as burns, rashes, eye, throat or lung damage and death. Always wear PPE as indicated in the Safety Data Sheet (SDS) when using or servicing the unit. Protect eyes, skin, and lungs against drifting spray.



Chemical solutions may pose a health risk and death if they contact the skin or eyes, are inhaled or swallowed. Always read and follow all chemical safety precautions and handling instructions provided by the chemical manufacturer and the SDS associated with the chemical solution before using the unit.



Pressure within the equipment may cause an unexpected release of the chemical solution and cause serious injury such as burns, rashes, eye damage, throat or lung damage and death. Always depressurize and clean the unit after each use. Never leave the unit unattended while pressurized.

Using the unit with fluid temperatures above 100°F (37.8°C) may result in scalding, burns, serious injury or death. DO NOT use a solution with a temperature above 100°F (37.8°C).

Operating the unit when damaged or leaking may result in exposure to chemical solutions, serious injury or death. Never use the unit if it is damaged or leaking.

Never point the discharge wand at yourself, another person, or any object you do not want covered in chemical.



Using incoming air pressure exceeding 100 psi (6.9 bar) may result in pressure buildup, explosion, serious injury or death. DO NOT exceed 100 psi (6.9 bar) incoming air pressure when operating the unit.

Use of hydrocarbons and flammable products may result in explosions, fire and serious injury or death. Never use hydrocarbons or flammable products with the unit.



Mixing an alkaline with an acid may result in a chemical reaction. Overheating of the mixture may cause it to splatter caustic compounds or release hazardous fumes, gas and vapors. Always flush the unit with fresh water thoroughly when switching from an alkaline to an acid or an acid to an alkaline.

## NOTICE

Servicing or modifying this unit with parts not listed in this manual may cause the unit to operate improperly. Do not use unauthorized parts when servicing the unit.

Use of an air lubricator before the unit may result in diminished performance and damage to the unit. Do not use an air lubricator before the unit.

Moisture in the air lines will damage the pump and diminish the pump life. The air must be filtered, clean, dry and free of moisture. If needed, install an air dryer before the unit.

## PROTECT THE ENVIRONMENT



Please dispose of packaging materials, old machine components, and hazardous fluids in an environmentally safe way according to local waste disposal regulations.

# Service Guide

## ⚠ WARNING

Performing any maintenance with the unit pressurized and connected to the air supply may result in serious injury or death. Always ensure that the unit has been depressurized and disconnected from the air supply before conducting any maintenance. Servicing or modifying this unit with parts not listed in this manual may cause the unit to operate improperly. Do not use unauthorized parts when servicing the unit.

## Maintaining Your Unit

To keep your unit operating properly, periodically perform the following maintenance procedures:

- Inspect the pump for wear and leaks.
  - Inspect all hoses for leaks or excessive wear. Make sure all hose clamps are in good condition and properly secured.
  - Replace the filter located within the air regulator as needed. Clean by unthreading the air regulator bowl from the air regulator.
  - Check the suction line and strainer for debris. Clean as needed.
  - Drain your air compressor tank on a regular basis to help extend pump life. An air source with a high moisture content will accelerate pump wear.
- Note:** If your air source has a high moisture content, install a water separator to the air fitting.

## Servicing Your Unit

Most repairs on the unit can be performed with the following tools:

- Crescent wrench
- $\frac{7}{16}$  in. (11 mm) open-ended wrench
- Flat head screwdriver
- #2 Phillips head screwdriver
- Thread seal tape
- Hose cutters
- Knife

# Troubleshooting Your Unit

If your unit is not operating properly, try using these troubleshooting tips:

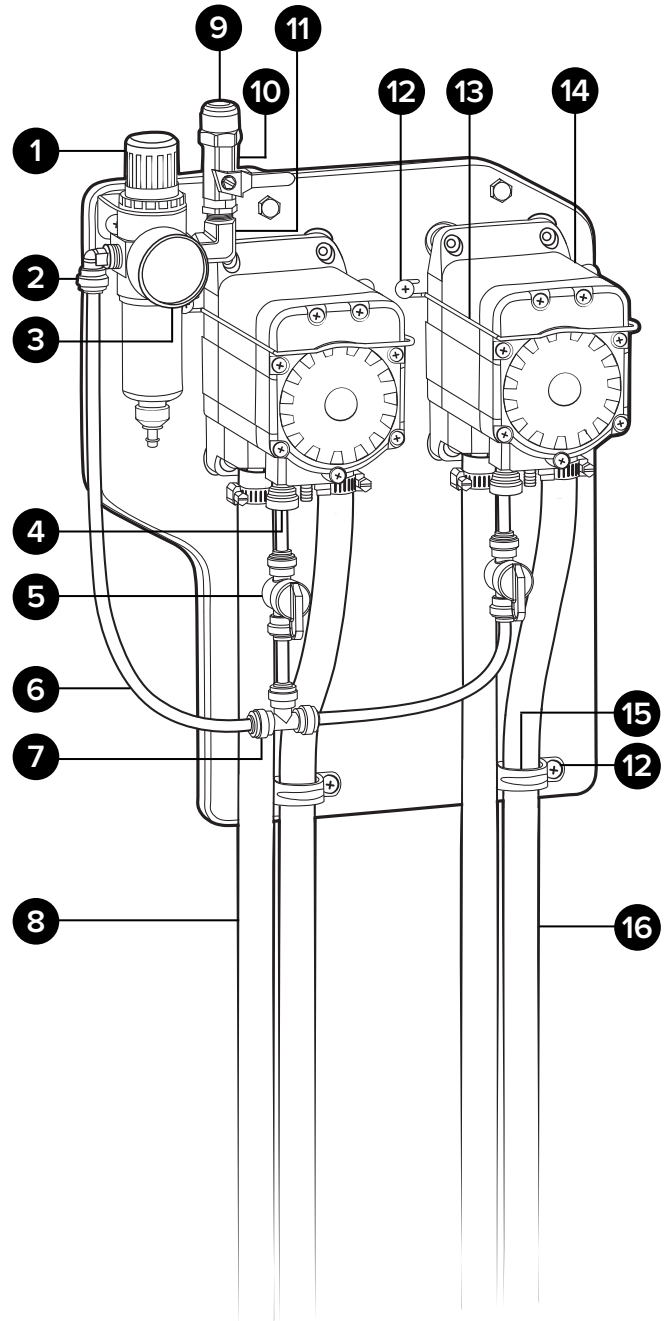
Issue	Solution
Air regulator bowl or air filter has debris such as water, oil, or rust particles	<ul style="list-style-type: none"> <li>• Clean by unthreading the air regulator bowl from the air regulator.</li> </ul>
Pump is cycling faster than normal	<ul style="list-style-type: none"> <li>• Verify product is getting to the pump with these steps:               <ol style="list-style-type: none"> <li>1. Inspect suction line foot valve for buildup.</li> <li>2. Examine the suction hose for holes or cracks.</li> <li>3. Ensure chemical suction line is fully submerged in the chemical jug.</li> </ol> </li> <li>• If these items are confirmed, the pump may need to be replaced.</li> </ul>
Pump is cycling slower than normal	<ul style="list-style-type: none"> <li>• Verify that the unit is receiving proper air supply. Air supply should read at 50 psi (3.4 bar).</li> <li>• Restriction on the outlet side of the unit may cause issues. Inspect outlet hose and fittings for build up. Clean or replace as needed.</li> <li>• Confirm air inlet valve is open completely.</li> <li>• Pump may need to be replaced.</li> </ul>
Air passes through the pump without cycling	<ul style="list-style-type: none"> <li>• The pump needs to be replaced.</li> </ul>
The unit operates at a reduced pressure	<ul style="list-style-type: none"> <li>• Check suction line and strainer for debris or damage. Clean or replace as needed. To prevent damage to the unit, the strainer must always be used.</li> <li>• Check the air compressor supplying the unit. If the pressure is less than 40 psi (2.8 bar), turn off the unit until the compressor can catch up.</li> <li>• If the air supply is 50 psi (3.4 bar) or above, check the air gauge, which should read near 50 psi (3.4 bar). If the air gauge reads more or less than 50 psi (3.4 bar), adjust the pressure by turning the knob on the top of the air regulator.</li> </ul>

# EZBlend™ Chemical Transfer Unit

## CTX2V-EZB:

EZBlend™ Sterilex dispenser - chemical transfer unit - exposed pump - 2 product - for Viton pumps

Item number	Description
1 R25	Air regulator - two ¼ in. FPT ports - two ⅛ in. FPT ports - includes filter and bowl
2 QFEL14P	Fixed elbow ¼ in. tube x ¼ in. MPT - polypropylene
3 AG100	Air gauge - ⅛ in. NPT - 100 PSI dry model
4 QF14PAF	Quick fit - ¼ MPT pump air fitting
5 QFSOV14	Shut off valve ¼ in. tube - polypropylene
6 TB14BL-PU	¼ in. od blue polyurethane tubing - available per ft.
7 QFT14	Union tee ¼ in. tube - polypropylene
8 H12BL-F	½ in. id blue hose - hybrid TPE - available per ft.
9 QF1438	Quick fit - ¼ MPT x ⅜ od tube - polypropylene
10 BVB14	Air inlet valve - ¼ in. FPT x ¼ in. FPT
11 SEL14M	Stainless elbow ¼ in. MPT x ¼ in. MPT
12 S1012-HL	10-16 x ½ in. screw - stainless - hi lo
13 BRKT-P56	Pump bracket - stainless steel
14 P56V	Pump with Viton seals - includes hose barbs, air fitting, and exhaust barb
15 CLMP12	Clamp for ½ in. hose - PVC
16 H12GN-F	½ in. id green hose - hybrid TPE - available per ft.



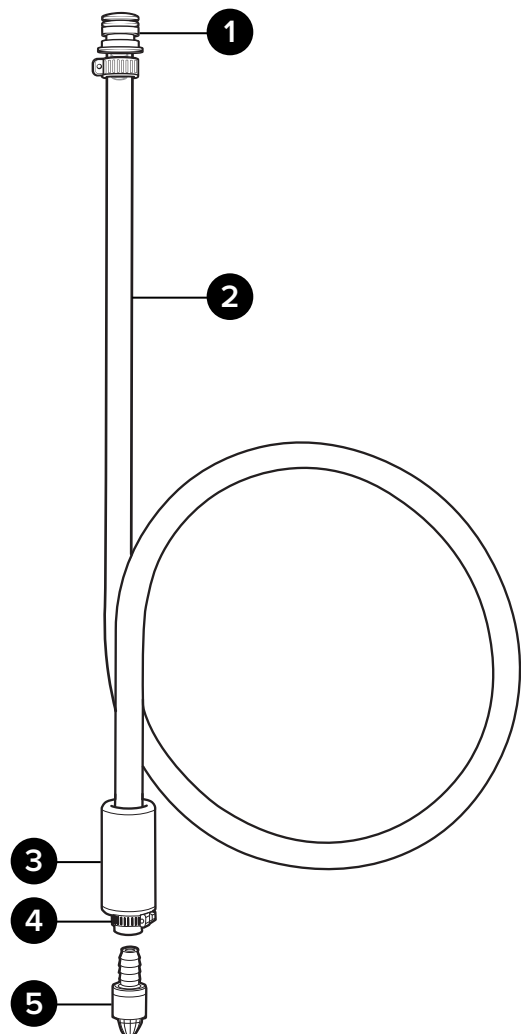
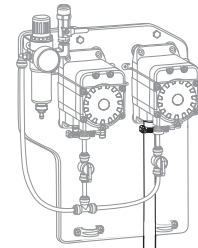
# Suction Assembly

Green hose

## SHA12GN-8V:

Suction assembly for EZBlend™ chemical transfer units - includes suction valve, green hose, weight, and pump hose barb - for Viton pumps

Item number	Description
1	HB5638V Hose barb for P56V pump - Viton o-ring
2	H12GN-F ½ in. id green hose - hybrid TPE - available per ft.
3	SHW3 3 in. long coated weight
4	SSC12 Stainless screw band clamp for ½ in. hose
5	FV2 Foot valve - Viton - black



SHA12GN-8V

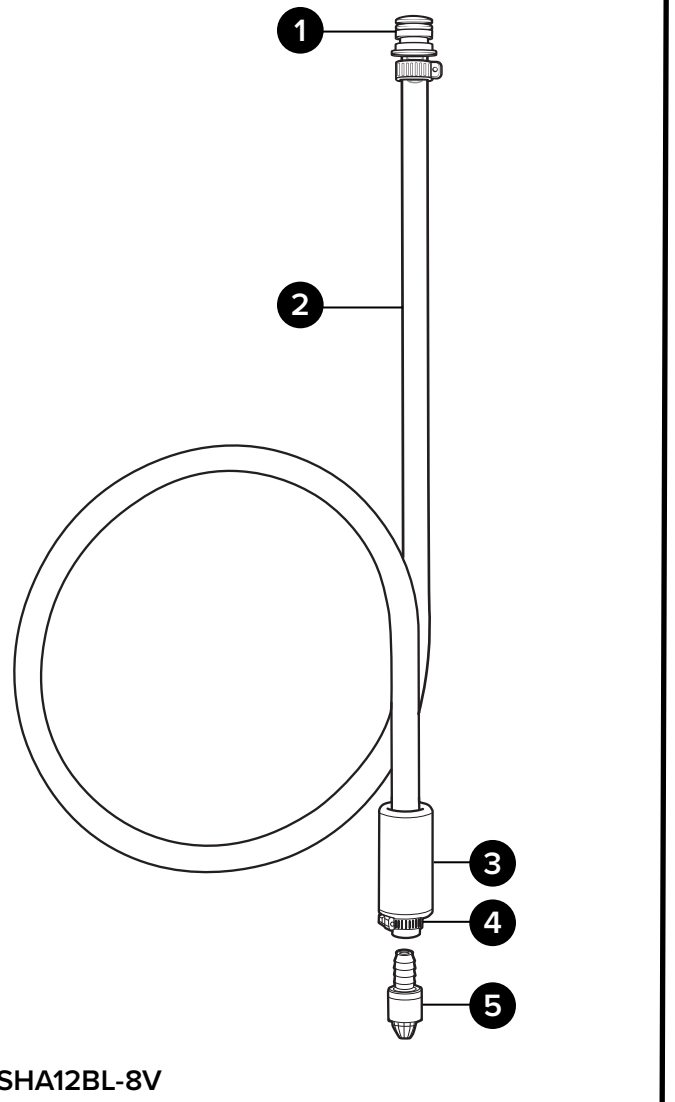
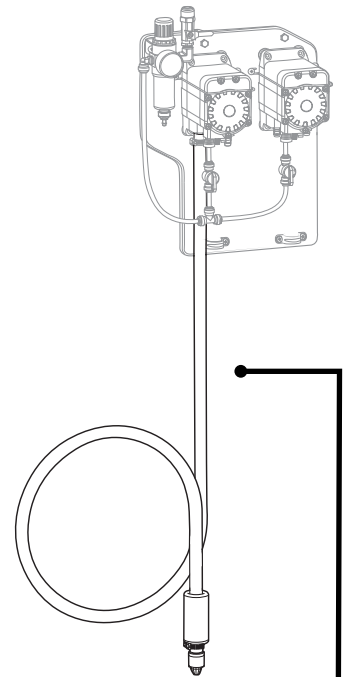
# Suction Assembly

## SHA12BL-8V:

Suction assembly for EZBlend™ chemical transfer units - includes suction valve, blue hose, weight, and pump hose barb - for Viton pumps

Item number	Description	
1	HB5638V	Hose barb for P56V pump - Viton o-ring
2	H12BL-F	½ in. id blue hose - hybrid TPE - available per ft.
3	SHW3	3 in. long coated weight
4	SSC12	Stainless screw band clamp for ½ in. hose
5	FV2	Foot valve - Viton - black

Blue hose



SHA12BL-8V

# Discharge Assembly

## BRKTA-PFG:

Bracket assembly for poly fill gun - includes mounting hardware

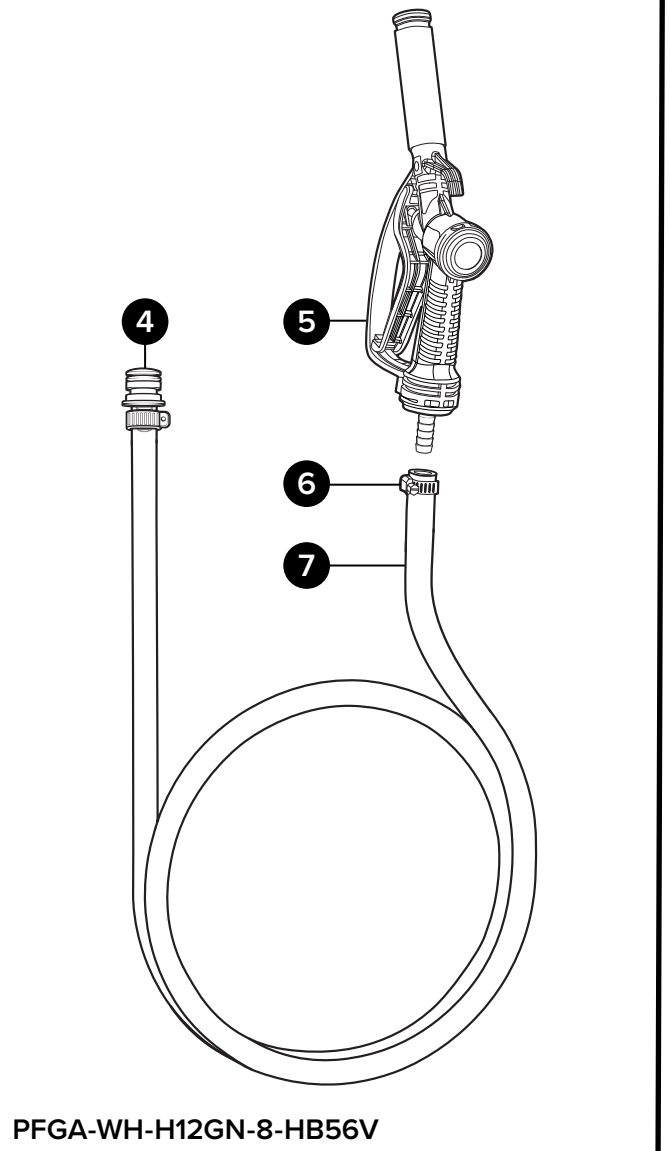
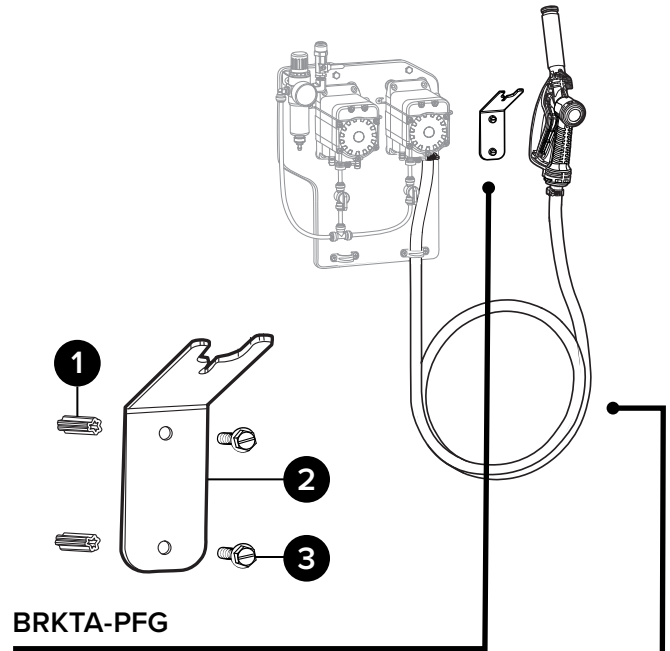
Item number	Description
1 WMS14A	#14 x 1 1/4 in. wall mount screw anchor - plastic - 5/16 in. drill size
2 BRKT-PFG	Mounting bracket for poly fill gun
3 WMS14	#14 x 1 1/4 in. wall mount screw - stainless - hex head slotted

## PFGA-WH-H12GN-8-HB56V:

Poly fill gun assembly - white - includes green hose, hose barb, and screw band clamps - for Viton pump

Item number	Description
4 HB5638V	Hose barb for P56V pump - Viton o-ring
5 PFG12HB	White fill gun - polypropylene - 1/2 in. hose barb - Hastelloy spring - Viton seals
6 SSC12	Stainless screw band clamp for 1/2 in. hose
7 H12GN-F	1/2 in. id green hose - hybrid TPE - available per ft.

Green hose





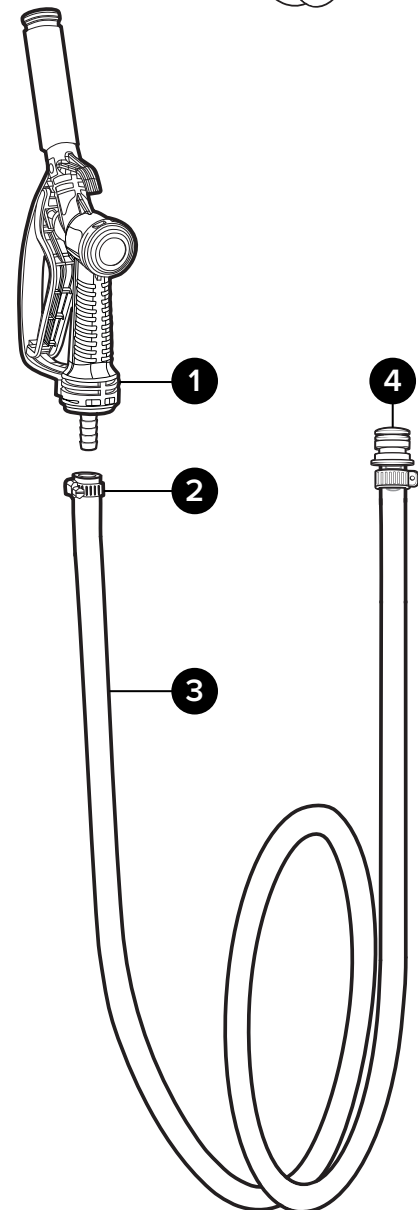
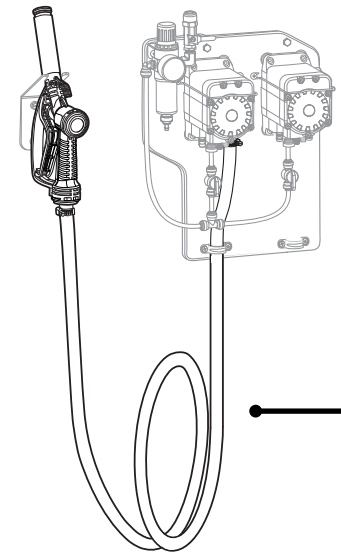
# Discharge Assembly

## PFGA-WH-H12BL-8-HB56V:

Poly fill gun assembly - white - includes blue hose, hose barb, and screw band clamps - for Viton pump

Item number	Description
1 PFG12HB	White fill gun - polypropylene - 1/2 in. hose barb - Hastelloy spring - Viton seals
2 SSC12	Stainless screw band clamp for 1/2 in. hose
3 H12BL-F	1/2 in. id blue hose - hybrid TPE - available per ft.
4 HB5638V	Hose barb for P56V pump - Viton o-ring

Blue hose



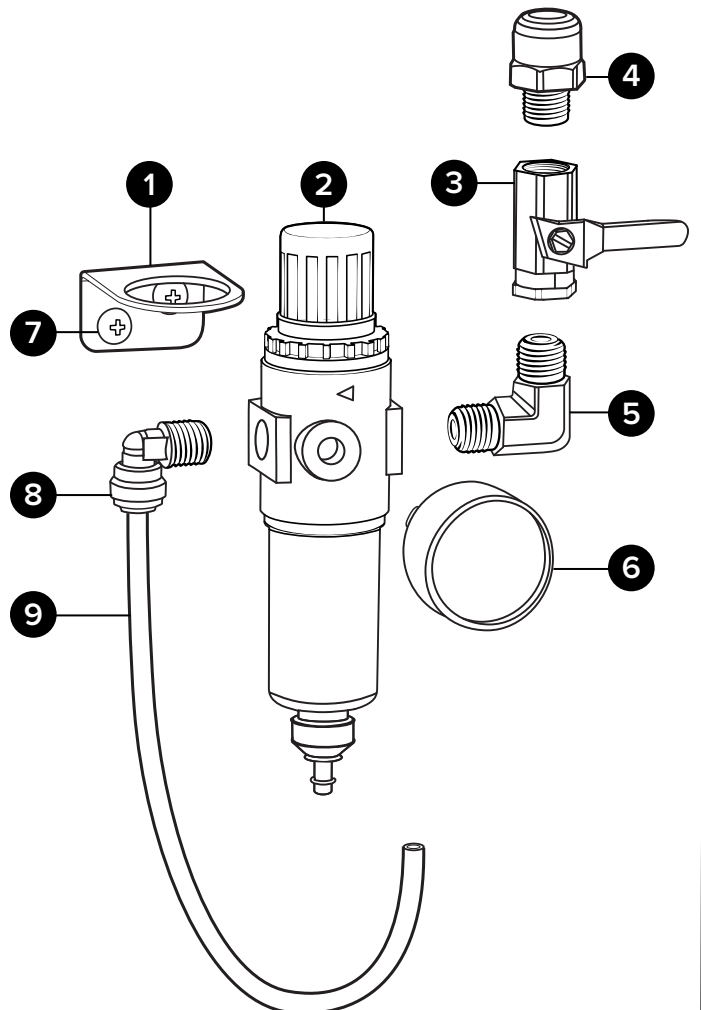
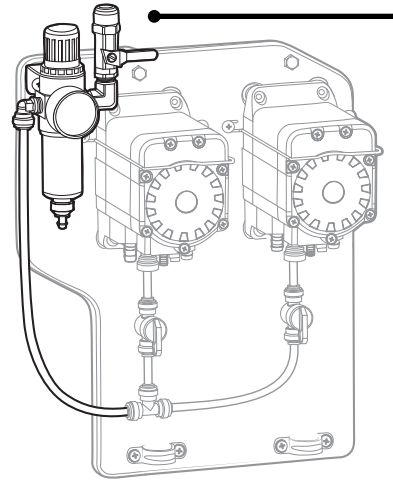
**PFGA-WH-H12BL-8-HB56V**

# Regulator Assembly

## RGA-R25-CTX:

Air regulator assembly for chemical transfer units - includes air gauge, quick fit, hose, air inlet valve, bracket, and elbows

Item number	Description
1	BRKT-RGA Bracket for mounting air regulator assembly - stainless steel
2	R25 Air regulator - two ¼ in. FPT ports - two ⅛ in. FPT ports - includes filter and bowl
3	BVB14 Air inlet valve - ¼ in. FPT x ¼ in. FPT
4	QF1438 Quick fit - ¼ MPT x ⅜ od tube - polypropylene
5	SEL14M Stainless elbow ¼ in. MPT x ¼ in. MPT
6	AG100 Air gauge - ⅛ in. NPT - 100 PSI dry model
7	S1012-HL 10-16 x ½ in. screw - stainless - hi lo
8	QFEL14P Fixed elbow ¼ in. tube x ¼ in. MPT - polypropylene
9	TB14BL-PU ¼ in. od blue polyurethane tubing - available per ft.



RGA-R25-CTX