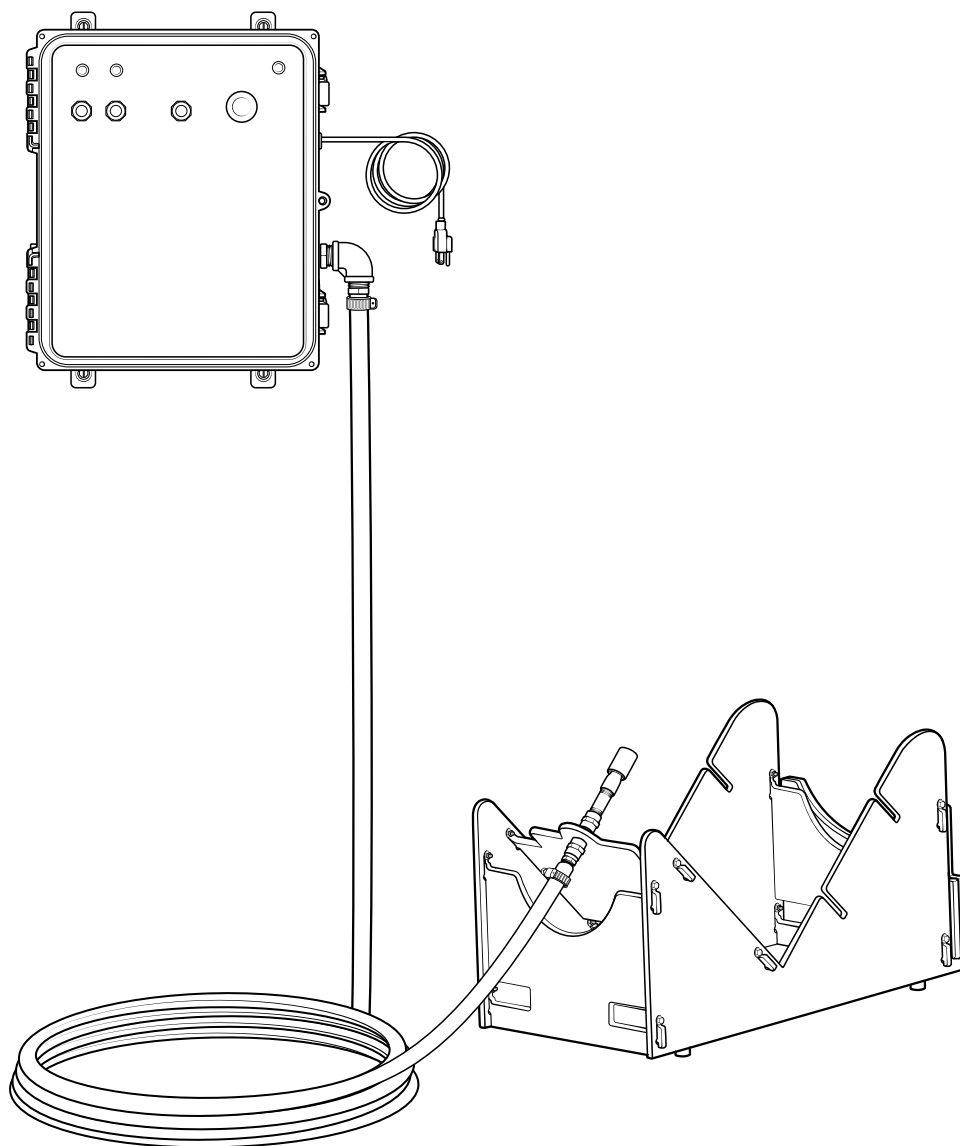


Drum Rinse System

Operation Manual

DRS

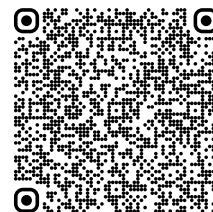


READ ALL INSTRUCTIONS BEFORE USING OR
SERVICING THIS UNIT. KEEP THIS MANUAL IN A
LOCATION THAT IS READILY AVAILABLE TO USERS
AND SERVICE TECHNICIANS.

English (Original Instructions)



Scan this code for
operation manual



Safety

WARNING

PEOPLE OR OBJECTS CAN BE HURT OR DAMAGED IF THIS UNIT IS NOT USED CORRECTLY!



Failure to read all the instructions before operating the unit may result in personal injury or death from the improper use or the chemical solution. Anyone handling, operating or using the unit must read and understand the instructions in the manual. The buyer assumes all responsibility for safety and proper use in accordance with the instructions.



Using or servicing the unit without appropriate personal protective equipment (PPE) may result in serious injury such as burns, rashes, eye, throat or lung damage and death. Always wear PPE as indicated in the Safety Data Sheet (SDS) when using or servicing the unit. Protect eyes, skin, and lungs against drifting spray.



Chemical solutions may pose a health risk and death if they contact the skin or eyes, are inhaled or swallowed. Always read and follow all chemical safety precautions and handling instructions provided by the chemical manufacturer and the SDS associated with the chemical solution before using the unit.



Pressure within the equipment may cause an unexpected release of the chemical solution and cause serious injury such as burns, rashes, eye damage, throat or lung damage and death. Always depressurize and clean the unit after each use. Never leave the unit unattended while pressurized.

Using the unit with fluid temperatures above 100°F (37.8°C) may result in scalding, burns, serious injury or death. Use extreme caution when handling a solution with a temperature above 100°F (37.8°C).

Operating the unit when damaged or leaking may result in exposure to chemical solutions, serious injury or death. Never use the unit if it is damaged or leaking.



Never point the discharge wand at yourself, another person, or any object you do not want covered in chemical.

Use of hydrocarbons and flammable products may result in explosions, fire and serious injury or death. Never use hydrocarbons or flammable products with the unit.



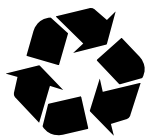
Mixing an alkaline with an acid may result in a chemical reaction. Overheating of the mixture may cause it to splatter caustic compounds or release hazardous fumes, gas and vapors. Always flush the unit with fresh water thoroughly when switching from an alkaline to an acid or an acid to an alkaline.



Touching damaged electrical cords may result in electrical shock, serious injury or death. Always inspect electrical cords and extension cords for damage before connecting the unit to power supply. DO NOT touch a damaged electrical cord, or extension cord, that is connected to power supply.

NOTICE

Servicing or modifying this unit with parts not listed in this manual may cause the unit to operate improperly. Do not use unauthorized parts when servicing the unit.



PROTECT THE ENVIRONMENT

Please dispose of packaging materials, old machine components, and hazardous fluids in an environmentally safe way according to local waste disposal regulations.

Product Overview

Product Requirements

Water requirements	Minimum flow at water source: 9 gal/min (34.1 l/min) Note: If flow is less than 9 GPM, consider opting for the boosted version
Liquid temperature range	40-190°F (4.4-87.8°C)
Electrical requirements	120 VAC at 60 Hz, 2 amps (GFCI protected outlet)
Operating voltage	120 VAC
Chemical compatibility	Unit is designed to function with water only

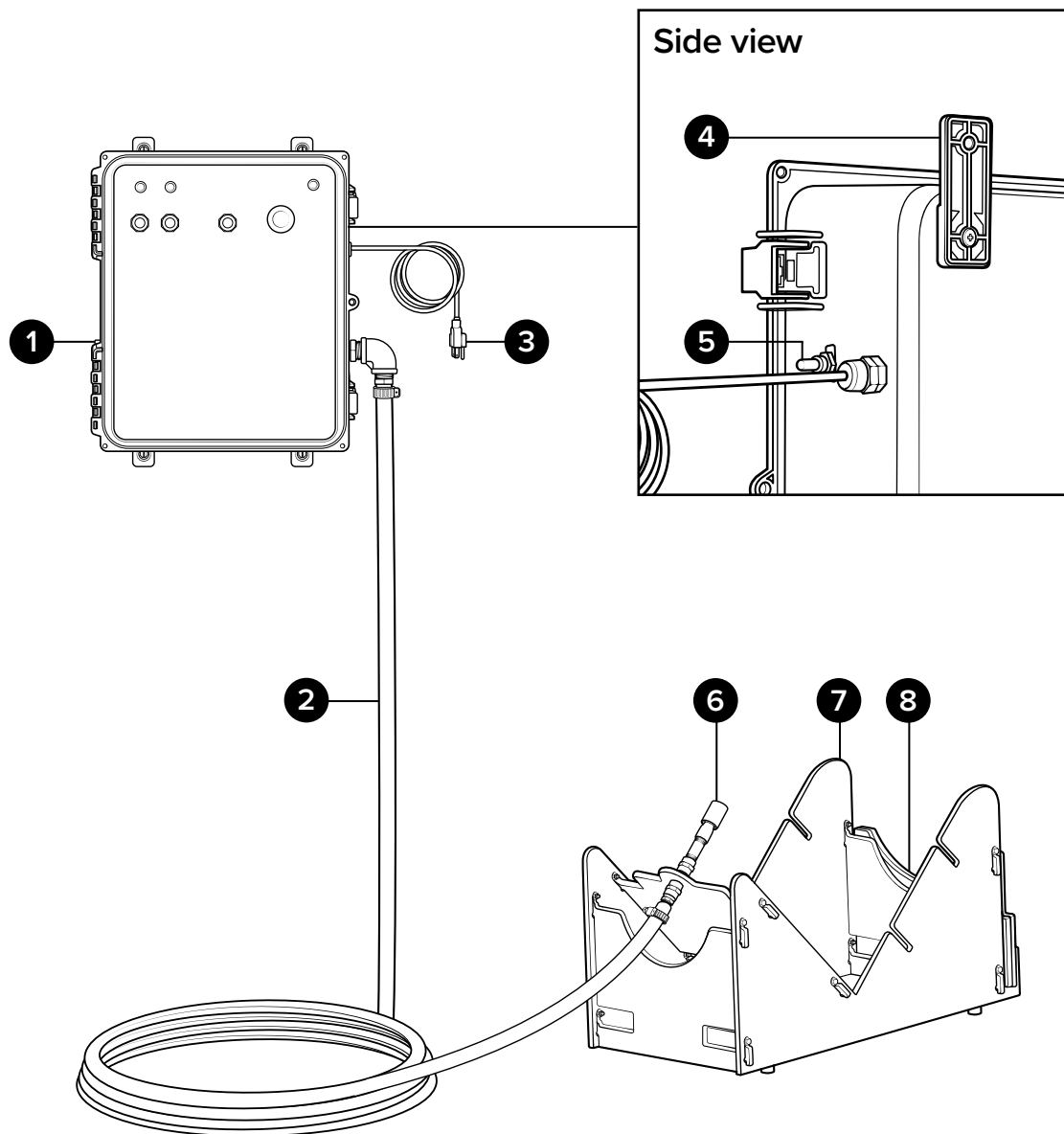
Product Specifications

Power type	Water and electric
Discharge line length / diameter	25 ft. (7.6 m) hose, with ¾ in. (19 mm) inside diameter
Flow rate (produced by unit)	9-17 gal/min (34.1-64.4 l/min)
Timer operation type / water usage	Repeat cycle (PLC controlled) <ul style="list-style-type: none">• 30 second triple rinse cycle - 13.5-25.5 gallons (51.1-96.5 liters) 3 cycles of - 30 seconds on, 15 seconds draining• 60 second triple rinse cycle - 27-51 gallons (102.2-193.1 liters) 3 cycles of - 60 seconds on, 15 seconds draining
Nozzle type	Stainless steel spinner
Tubing/fitting sizes	Facility connection to water supply box: ½ in. FNPT

Product Components

Get to know the Drum Rinse components that you will need to use, adjust or assemble.

- | | |
|------------------|---------------------|
| 1. Input hose | 5. Power switch |
| 2. Output hose | 6. Spray nozzle |
| 3. Power supply | 7. Base |
| 4. Mounting feet | 8. Base attachments |



Using Your Unit

Installation Instructions

The equipment is shipped in two boxes. Verify all parts are included and undamaged. One box has the complete drum rinse assembly, and the other has the control box assembly, plus hoses.

1. Select desired area to mount the control box.

Note: We recommend mounting the control box at a height of 6 feet or less.

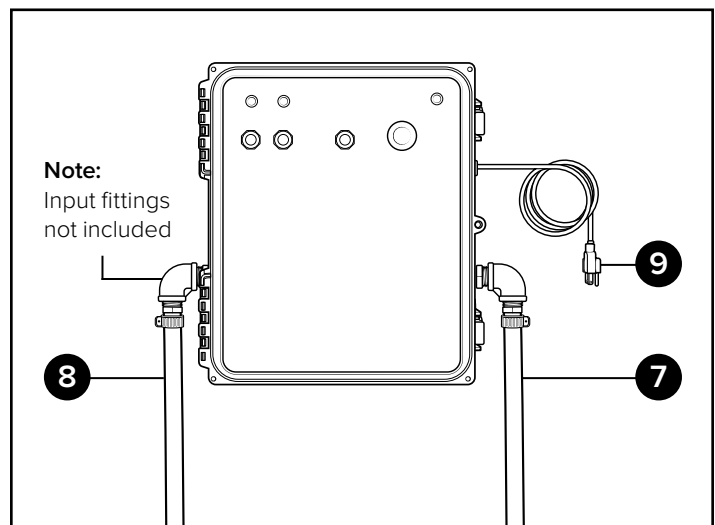
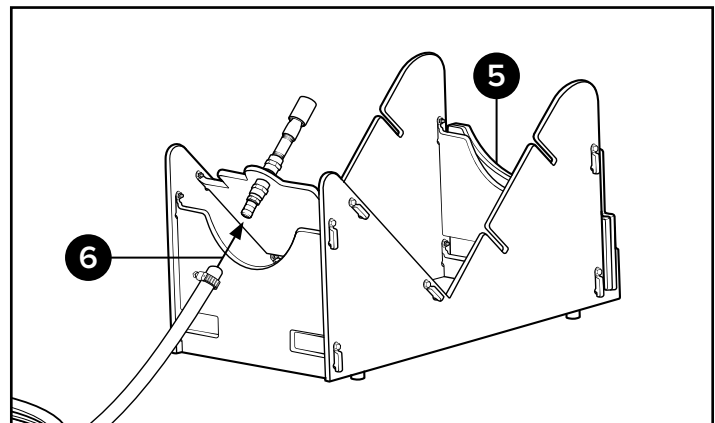
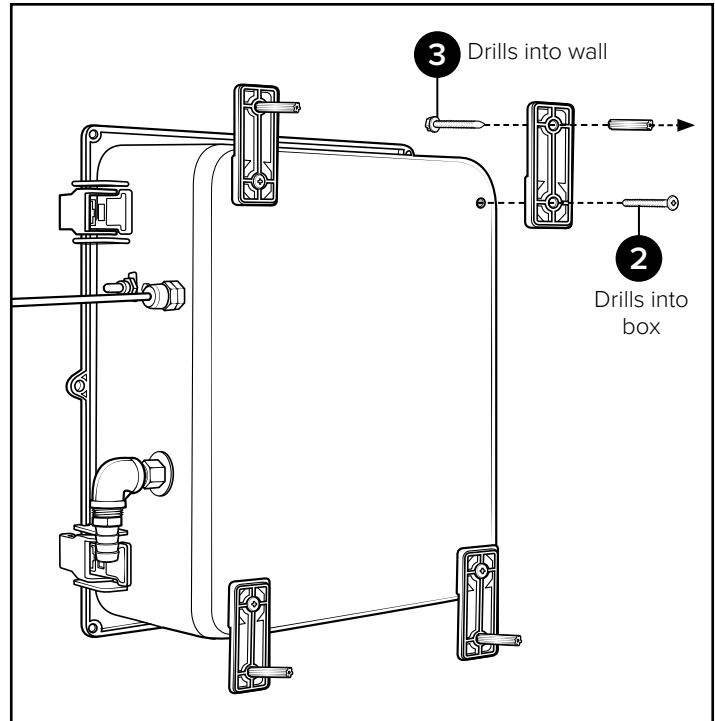
2. Attach the control box mounting feet to the back of the box using the four screws provided in the parts package.
3. Mount the control box to the wall using four of the screws and plastic anchors provided in the parts package.

Note: To drill holes for the plastic anchors, use a $\frac{5}{16}$ inch drill bit.

4. Place the drum rinse base over or near a floor drain, within 25 ft. of the control box.
5. Install the included base attachment plates if using a 15 or 30 gallon drum. No attachments needed for 55 gallon drums.
6. Connect one end of the 25 ft. length $\frac{3}{4}$ in. hose to the hose barb on the drum rinse base. Secure using a $\frac{3}{4}$ in. screw band clamp.
7. Connect other end of the 25 ft. length $\frac{3}{4}$ in. hose to the hose barb on the control box marked "Outlet". Secure with a $\frac{3}{4}$ in. screw band clamp.
8. Connect the facilities water source to the "Inlet" side of the control box using a minimum inside diameter hose of $\frac{3}{4}$ in.

Note: Input fittings not included with assembly, can be purchased separately.

9. Connect the electrical plug to a properly grounded 120V 15A outlet.



Using Your Unit

Operation Instructions

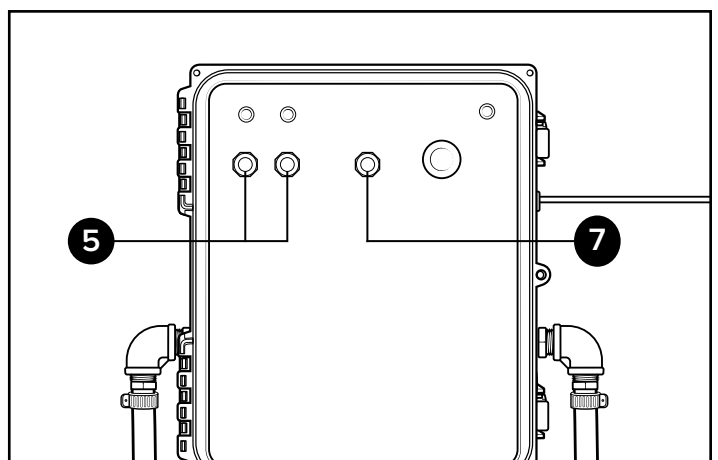
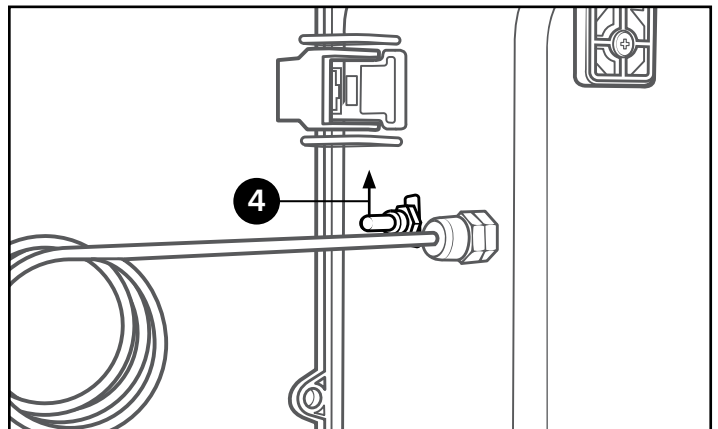
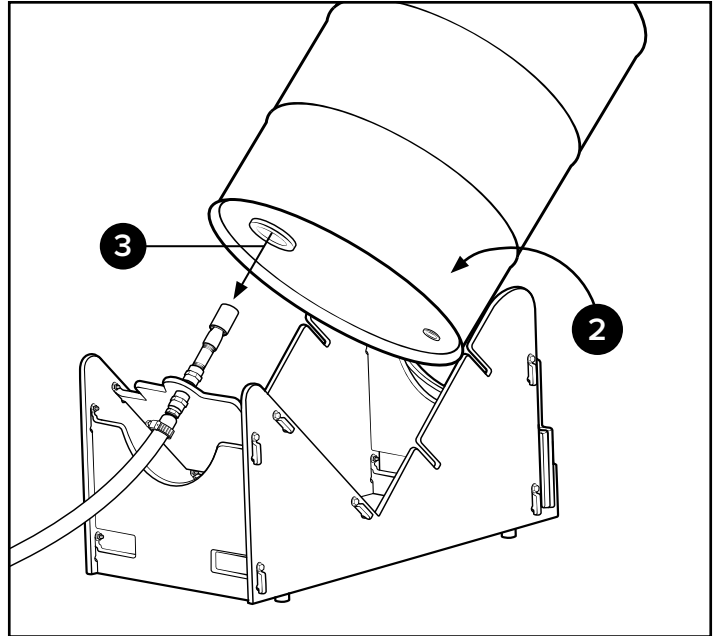
1. Remove both bung plugs from the empty drum, and place empty drum bung side up next to drum rinse base, opposite the spray nozzle.
2. Pivot drum onto the drum rinse base using the rounded edge of base.
3. Rotate the drum so bung opening lines up concentrically with spray nozzle shaft. Lower the drum over the spray nozzle shaft until drum top is resting on the drum rinse base.
4. Ensure drum rinse control box switch is in the powered **“ON”** position. The green indicator light will be illuminated when the system is powered on.
5. To begin the rinse process, determine the desired cycle time for the intended cleaning application and press the related button to begin the cycle. When the cycle begins, a corresponding red light will become illuminated and will remain so during the entire cycle.

Note: Do not remove drum from the base until the red light turns off, indicating cycle is complete.

6. The rinse cycle will allow for three timed cleaning intervals and two fifteen second draining intervals.
7. If the rinse cycle needs to be changed or interrupted, press the **“RESET”** button to reset the existing operation.

After Use Instructions

8. When the rinse cycle is complete, allow the remaining rinse water to empty from the drum (typically 15 seconds).
9. Pull the drum away from the spray nozzle. Once clear of the shaft, pivot drum over the rounded edge of the base and lower it to the ground.
10. To power down the system flip the control box switch into the **“OFF”** position.



Maintenance

WARNING

Performing any maintenance with the unit pressurized, and/or connected to electrical power may result in serious injury or death. Always ensure that the unit has been depressurized, and disconnected from the electrical power before conducting any maintenance. Servicing or modifying this unit with parts not listed in this manual may cause the unit to operate improperly. Do not use unauthorized parts when servicing the unit.

Maintaining Your Unit

To keep your unit operating properly, periodically perform the following maintenance procedures:

- Inspect the spray nozzle for wear and leaks.
- Inspect all hoses for leaks or excessive wear.
- Make sure all hose clamps are in good condition and properly secured.

Servicing Your Unit

To service your unit, refer to the service manual which includes:

- Troubleshooting procedures.
- Detailed parts breakdowns and illustrations.
- Part numbers of serviceable components and assemblies.



Scan this code for
service manual

