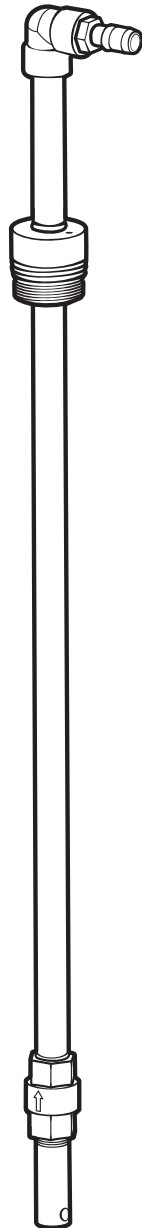


Drum Lance

User Manual



READ ALL INSTRUCTIONS BEFORE USING OR
SERVICING THIS UNIT. KEEP THIS MANUAL IN A
LOCATION THAT IS READILY AVAILABLE TO USERS
AND SERVICE TECHNICIANS.

English (Original Instructions)



Scan this code
for user manual



Safety

WARNING

PEOPLE OR OBJECTS CAN BE HURT OR DAMAGED IF THIS UNIT IS NOT USED CORRECTLY!



Failure to read all the instructions before operating the unit may result in personal injury or death from the improper use or the chemical solution. Anyone handling, operating or using the unit must read and understand the instructions in the manual. The buyer assumes all responsibility for safety and proper use in accordance with the instructions.



Using or servicing the unit without appropriate personal protective equipment (PPE) may result in serious injury such as burns, rashes, eye, throat or lung damage and death. Always wear PPE as indicated in the Safety Data Sheet (SDS) when using or servicing the unit. Protect eyes, skin, and lungs against drifting spray.



Chemical solutions may pose a health risk and death if they contact the skin or eyes, are inhaled or swallowed. Always read and follow all chemical safety precautions and handling instructions provided by the chemical manufacturer and the SDS associated with the chemical solution before using the unit.



Pressure within the equipment may cause an unexpected release of the chemical solution and cause serious injury such as burns, rashes, eye damage, throat or lung damage and death. Always depressurize and clean the unit after each use. Never leave the unit unattended while pressurized.

Using the unit with fluid temperatures above 100°F (37.8°C) may result in scalding, burns, serious injury or death. Use extreme caution when handling solution with a temperature above 100°F (37.8°C).

Operating the unit when damaged or leaking may result in exposure to chemical solutions, serious injury or death. Never use the unit if it is damaged or leaking.

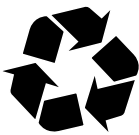
Never point the discharge wand at yourself, another person, or any object you do not want covered in chemical.



Mixing an alkaline with an acid may result in a chemical reaction. Overheating of the mixture may cause it to splatter caustic compounds or release hazardous fumes, gas and vapors. Always flush the unit with fresh water thoroughly when switching from an alkaline to an acid or an acid to an alkaline.

NOTICE

Servicing or modifying this unit with parts not listed in this manual may cause the unit to operate improperly. Do not use unauthorized parts when servicing the unit.



PROTECT THE ENVIRONMENT

Please dispose of packaging materials, old machine components, and hazardous fluids in an environmentally safe way according to local waste disposal regulations.

Product Overview

Product Requirements

Liquid temperature range	40-100°F (4.4-37.8°C)
Chemical compatibility	Chemical products used with this equipment must be formulated for this type of application and compatible with unit materials and pump seals. For more information on chemical compatibility, consult the manufacturer or SDS for your product or contact our customer service department.

Product Specifications

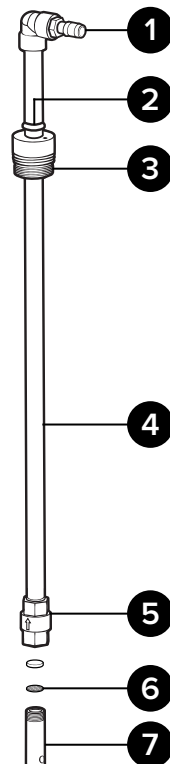
Lance length/diameter	33 in. (0.8 m), 48 in. (1.2 m), 54 in. (1.4 m) with ¾ in. (19.1 mm) diameter
Drum Depth Mounting Dimensions*	<ul style="list-style-type: none">• DLV-33 mounts with a maximum drum depth of 35.9 in.• DLV-48 mounts with a maximum drum depth of 50.5 in.• DLV-54 mounts with a maximum drum depth of 56.5 in.
Thread type	2 in. NPS and 2 in. buttress threads
Fitting sizes	¼, ⅜, and ½ inch hose barbs included
Seal type	EPDM or Viton

*Mounting dimensions are based on the average length of the threaded assembly and should be selected according to the inside depth of the drum. The suction foot can rest on the bottom of the container, but the side holes must remain unobstructed to allow proper suction.

Product Components

Get to know the Drum Lance components that you will need to use, adjust or assemble.

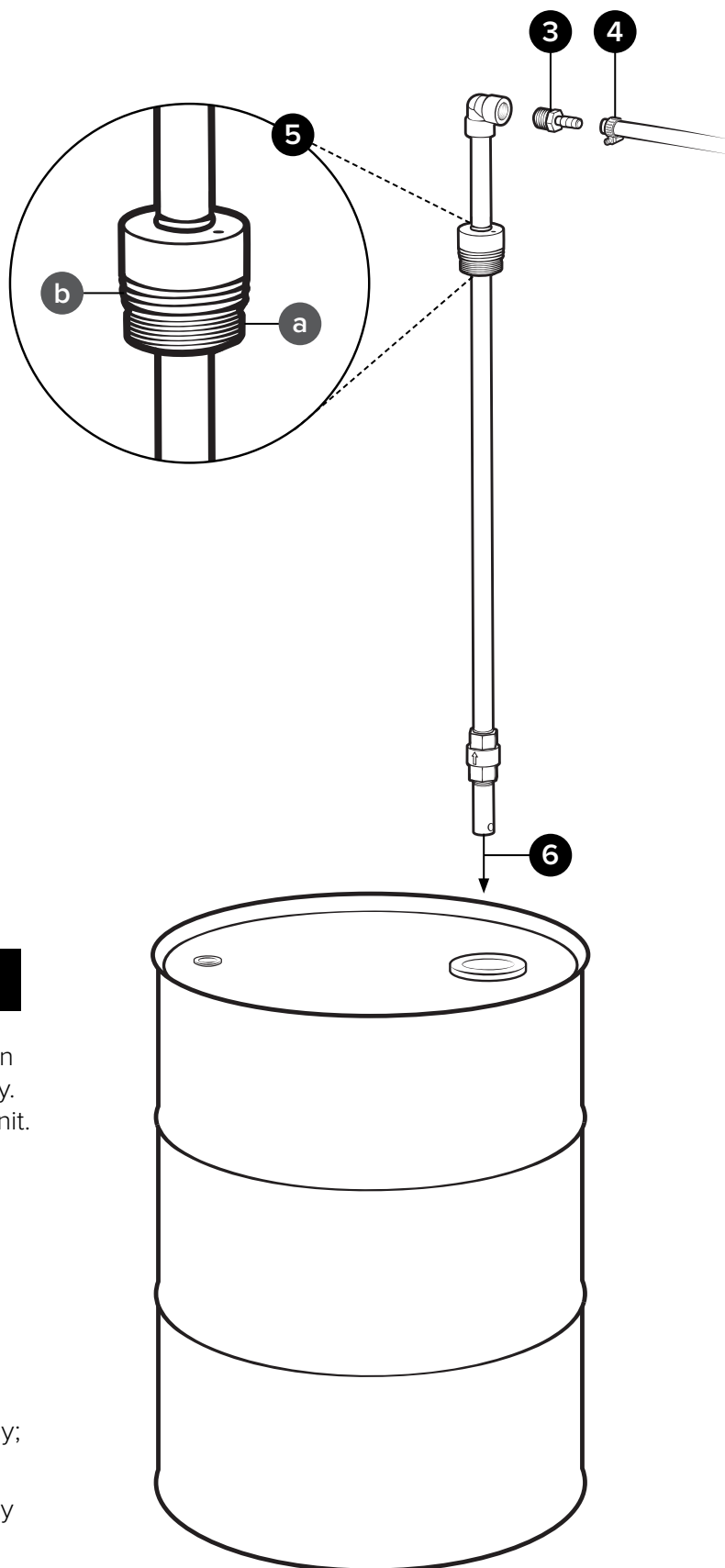
1. Hose barb
2. O-ring
3. Drum bung adapter
4. Lance
5. Check valve
6. Strainer
7. Suction foot



Using Your Unit

Installation Instructions

1. Remove the unit from the packaging and verify that all parts are included and undamaged.
2. Select the hose barb and screw band clamp from the parts package that match your hose size.
3. Install your hose barb.
4. Attach your hose to the hose barb using the included screw band clamp.
5. Identify your drum or tote opening type: fine thread **(a)** or buttress thread **(b)**.
6. Insert the lance into the corresponding opening on your drum or tote.
Note: The suction foot can touch the bottom, but ensure the side holes remain unobstructed.
7. Ensure the lance is fully threaded and secure.



After Use Instructions

8. Before extended storage or switching chemistries, thoroughly flush with water.

Maintenance

WARNING

Servicing or modifying this unit with parts not listed in this manual may cause the unit to operate improperly. Do not use unauthorized parts when servicing the unit.

To keep your unit operating properly, periodically perform the following maintenance procedures:

- Inspect all fittings for leaks or excessive wear.
- Ensure all hose clamps are in good condition and properly secured.
- Check and clean the chemical strainer periodically; replace if damaged.
- Before extended storage, flush the unit thoroughly with water to prevent chemical buildup.

Service

Drum lance assembly with Viton o-ring options:

DLV-33: 33 in. long

DLV-48: 48 in. long

DLV-54: 54 in. long

Drum lance assembly with EPDM o-ring options:

DL-33: 33 in. long

DL-48: 48 in. long

DL-54: 54 in. long

Item number	Description
1 PEL34F	¾ FPT poly pipe elbow
2 A ORV-212	O-ring - Viton - dash number 212 - durometer 75a
B OR-212	O-ring - EPDM - dash number 212 - durometer 75a
3 ADPTR-BTFT-DL	Adapter - for ¾ in. drum lance pipe - fine and buttress thread compatible
4 A HB3414	Hose barb - polypropylene - straight - ¾ in. MPT x ¼ in. barb
B HB3438	Hose barb - polypropylene - straight - ¾ in. MPT x ⅜ in. barb
C HB3412	Hose barb - polypropylene - straight - ¾ in. MPT x ½ in. barb
5 A SSC12	Screw band clamp - stainless steel - for ½ in. hose
B SSC38	Screw band clamp - stainless steel - for ⅜ in. hose
6 A PN3433	¾ in. NPT pipe - black polypropylene - 33 in. long
B PN3448	¾ in. NPT pipe - black polypropylene - 48 in. long
C PN3454	¾ in. NPT pipe - black polypropylene - 54 in. long
7 A SCTNA-DLV	Suction assembly - includes pipe, spacer, screen and Viton check valve
B SCTNA-DL	Suction assembly - includes pipe, spacer, screen and EPDM check valve

