
USER MANUAL

MODEL NUMBER:

MU-10N-2

MU-10NK-2

MU-10NV-2

AND RELATED UNITS

**10 Gallon Air Operated Portable Mist
Equipment**

English (Original Instructions)

READ ALL INSTRUCTIONS BEFORE OPERATING EQUIPMENT



WARNING



Read this manual completely and understand the machine before operating or servicing it.

- Read all instructions before installing or operating unit.
- Always wear appropriate personal protective equipment (PPE) when operating or servicing unit.
- Follow all chemical safety precautions and handling instructions provided by the chemical manufacturer and Safety Data Sheet (SDS).
- Do not exceed an incoming air pressure of 100 psi (7 bar).
- Do not exceed a fluid temperature of 100°F (37°C).
- Only use clean and dry air. Air must be filtered and free of moisture or pump life will be diminished. If needed, install an air dryer before unit.
- Do not use air lubricator before the unit.

PROTECT THE ENVIRONMENT

Please dispose of packaging materials, old machine components, and hazardous fluids in an environmentally safe way according to local waste disposal regulations.



Always remember to recycle.

*Specifications and parts are subject to change without notice.

Specifications:

Liquid Temperature 40°F to 100°F (4.4°C to 37°C)
Droplet size: 20 microns at 50 psi

1 liter of solution will cover approximately 1000 cubic feet (up to system max of 38,000 cubic feet).*

A full tank of solution will supply the unit for approximately 1.5 hours.*

*NOTE: Area covered and run time may vary based on humidity, air flow, and product used.

Dimensions and Weight:

Length: 19 in (482 mm) approximately
Width: 16 in (406 mm) approximately
Height: 42 in (1066 mm) approximately
Weight (empty): 31 lbs (14 kg) approximately

Requirements:

Air pressure required: 50 psi (3.4 bar)

Air volume required: 7 CFM at 50 psi (198.3 l/min at 3.4 bar)

Chemical Requirements: Follow all instructions from chemical manufacturer and Safety Data Sheet (SDS).

Air Operated Double Diaphragm Pump Models Offered:

P56: Polypropylene body with Santoprene diaphragm

P56V: Polypropylene body with Viton diaphragm

P56K: Polypropylene body with Kalrez diaphragm

READ ALL INSTRUCTIONS BEFORE OPERATING EQUIPMENT

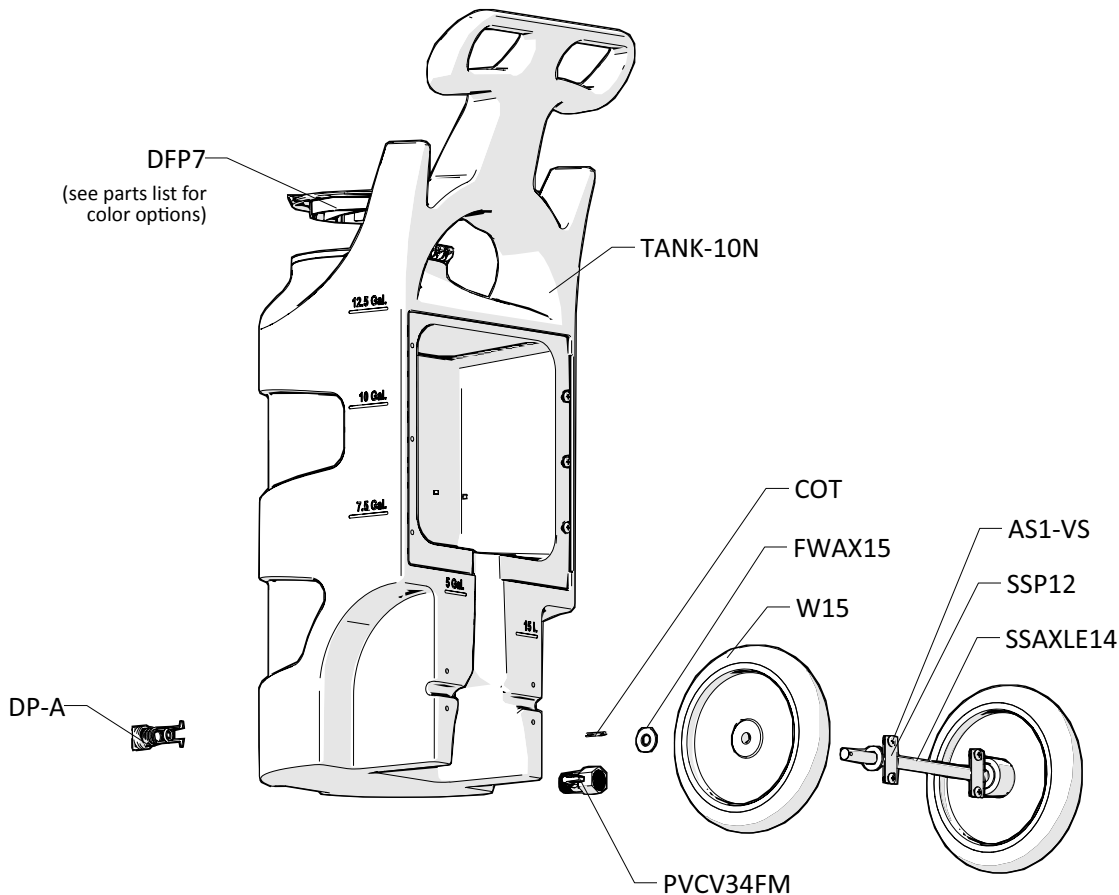
Operation Instructions

Wearing all PPE and observing all safety precautions dictated by the SDS for your product:

1. Fill the tank with the desired amount of product.
2. Place the unit in the area to be misted.
3. Ensure the air supply valve (BVB14) is in the closed position, and connect a compressed air line to the air inlet fitting (AP25).
4. Open the air supply valve (BVB14) to activate the unit.
5. Evacuate the area.
6. After the unit has stopped misting, observe all appropriate safety precautions before reentering area. Close the air supply valve (BVB14) and disconnect the compressed air line from the unit.

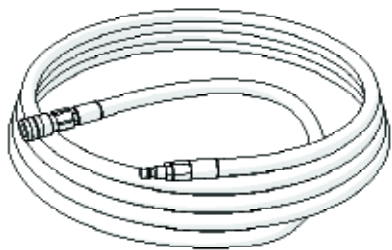
READ ALL INSTRUCTIONS BEFORE OPERATING EQUIPMENT

TANK ASSEMBLY ITEM NUMBER: TANK-10N-A

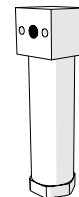


OPTIONAL COMPONENTS

AIR HOSE ASSEMBLY ITEM NUMBER: AH30



WATER SEPARATOR ITEM NUMBER: WS-20CFM



READ ALL INSTRUCTIONS BEFORE OPERATING EQUIPMENT

Plate - Inside View

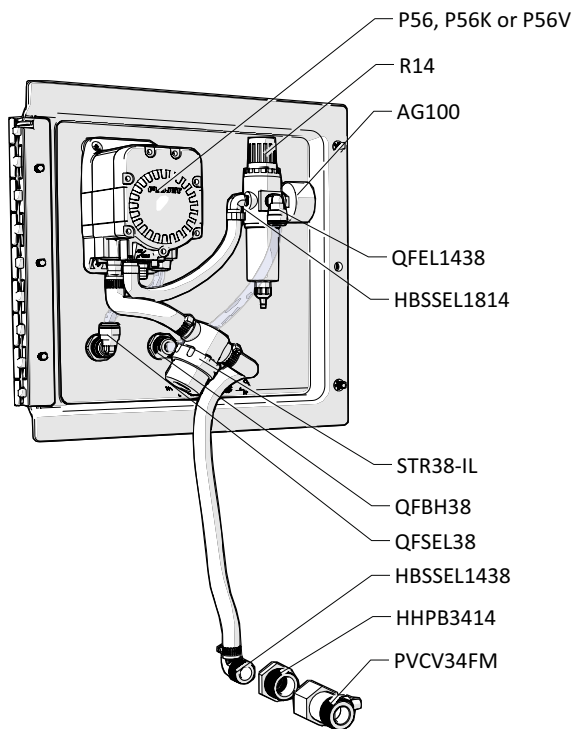
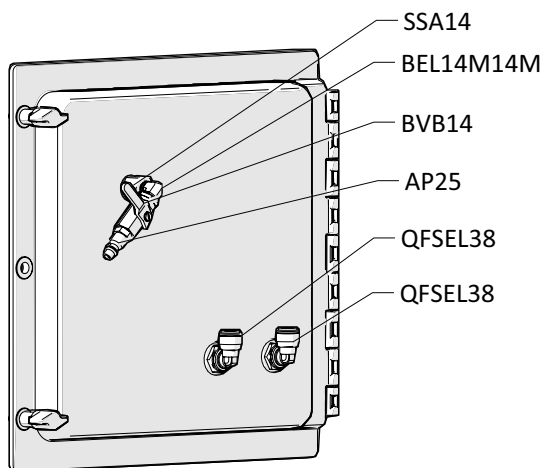
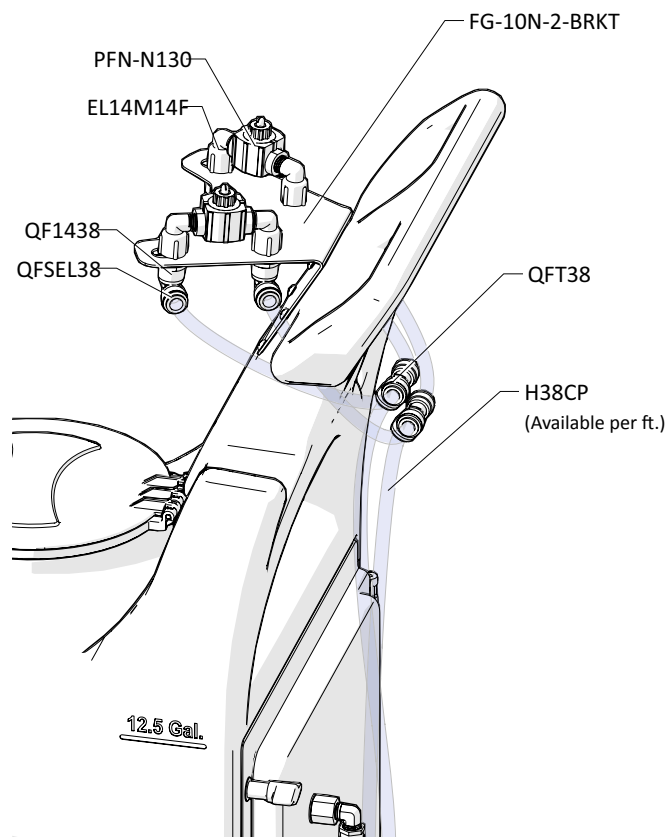


Plate - Back View



MIST NOZZLE ASSEMBLY



READ ALL INSTRUCTIONS BEFORE OPERATING EQUIPMENT

ITEM NUMBER	DESCRIPTION
AG100	1.5 INCH DRY MODEL 20 DUAL SCALE GAUGE
AH30	30 FT. AIR HOSE WITH QUICK CONNECT FITTINGS
AP25	PLUG 1/4 NPTM AIR FITTING - BRASS
AS1-VS	1/4-20 X 1/2 PHIL TRUSS MACH SCREW 19-8 W/516 ORANGE VIBRASEAL PATCH
B103234	10-32 X 3/4 PHIL TRUSS MACH SCR 18-8
B8X58	8-15 X 5/8 inch PHIL FLAT TY-A 316 S.S.
BEL14M14M	BRASS ELBOW 1/4in MPT X 1/4in MPT
BPS-58SO	Back Panel Screw - 5/8 inch with Stand Off
BPS-SSR	1/4 INCH PUSHNUT BOLT RETAINER STAINLESS STEEL
BVB14	AIR INLET VALVE - VA BRS 025-4F4F-BT, NICKEL
COT	1/8 X 1 COTTER PIN 18-8 S/S
DFP7	7 INCH HINGED CAP ASSEMBLY - INCLUDES BLACK CAP, LID FLANGE AND HINGE PIN
<i>DFP7-C</i>	<i>7 INCH FILL CAP POLYPRO BLACK</i>
<i>DFP7-F</i>	<i>7 INCH TANK LID FLANGE POLYPRO</i>
<i>DFP7-PIN</i>	<i>HINGE PIN FOR DFP7-C & DFP7-C</i>
DFP7-C-BL	7 INCH FILL CAP POLYPRO BLUE PANTONE
DFP7-C-GN	7 INCH FILL CAP POLYPRO GREEN PANTONE
DFP7-C-RD	7 INCH FILL CAP POLYPRO RED PANTONE
DFP7-C-YL	7 INCH FILL CAP POLYPRO YELLOW PANTONE
DP-A	DRAIN PLUG ASSEMBLY FOR TANK-10N TANK-20N
<i>DP</i>	<i>FRONT DRAIN PLUG FOR PORTABLE UNIT POLYPRO</i>
<i>DP-G</i>	<i>FKM SQUARE CUT DRAIN PLUG GASKET</i>
EC14-2	OETIKER CLAMP 13.8
EL14M14F	1/4 FEM PIPE X 1/4 M PIPE ELBOW
FG-10N-2-BRKT	BRACKET FOR FG-10N-2
FMS1034	10 X 3/4in PHIL SHEET METAL SS SCREW
FWAX15	FLAT AXLE WASHER
FWLG14	.569 ID X 1.28 OD X .08 THICK FLAT WASHER SS 18-8
H38B-H	3/8 inch BLUE HOSE - Available per ft.
H38CP	3/8IN OD POLYETHYLENE TUBING - NATURAL
HBSSEL1438	STAINLESS HOSE BARB ELBOW 1/4 INCH NPT X 3/8 HOSE BARB
HBSSEL1814	304 STAINLESS ELBOW 1/8 INCH NPT X 1/4 INCH HOSE BARB
HHPB3414	HEX HEAD POLY REDUCER BUSHING 3/4 X 1/4

P56	5700 PUMP WITH SANTOPRENE SEALS - INCLUDES HOSE BARBS, AIR FITTING, AND AIR PORT
P56K	5700 PUMP WITH KALREZ SEALS - INCLUDES HOSE BARBS, AIR FITTING, AND AIR PORT
P56V	5700 PUMP WITH VITON SEALS - INCLUDES HOSE BARBS, AIR FITTING, AND AIR PORT
<i>20756103B</i>	<i>Polypro G57 Air Port x HB Straight, w/ Viton o-ring</i>
<i>HB14P</i>	<i>1/4in BRASS HB AIR FITTING /G57/P56</i>
<i>HB5638</i>	<i>HOSE BARB FOR P56 PUMP</i>
<i>HB5638K</i>	<i>HOSE BARB FOR P56K PUMP</i>
<i>HB5638V</i>	<i>HOSE BARB FOR P56V PUMP</i>
PFN-N130	PNEUMATIC FOG NOZZLE - POLYPROPYLENE AND KYNAR TIP - 3.7 GAL/HR PER NOZZLE
PLPF-B	BLANK PORTABLE FOAMER PLATE WITH HINGE W/O HOLES
PLPF-PIN	302 STAINLESS PORTABLE PLATE HINGE PIN
PVCV34FM	PVC VALVE 3/4in FPT X 3/4in MPT
QF1438	MALE CON. 3/8in TUBE X 1/4in MPT - POLYPROPYLENE
QF5638	3/8in QF PUMP FITTING / G57
QFBH38	BULKHEAD 3/8in TUBE POLYPROPYLENE
QFEL1438	FIXED ELBOW 3/8in TUBE X 1/4in MPT - POLYPROPYLENE
QFSEL38	PLUG-IN ELBOW 3/8in TUBE X 3/8in POLYPROPYLENE
QFT38	UNION TEE 3/8in TUBE POLYPROPYLENE
R14	1/4 NPTF REGULATOR W/ FILTER-NO GAUGE
SSA14	SS304 MALE/FEMALE ADAPTOR 1/4 NPT X 1/4 NPT
SSAXLE14	14 1/2" long with the 5/8" diameter bar & 2 through holes with countersinks beveled ends
SSC38	WORM GEAR CLAMP, S/S (.25-.63)
SSP12	STAINLESS STEEL AXLE PLATE - 2.5 inch X 1 inch - 2 HOLE
STR38-IL	IN LINE STRAINER 3/8 BARB 20 MESH 304 STAINLESS EDPM GSKT
TANK-10N	10 GALLON NATURAL TANK
TW916	1/2 INT TOOTH L/W 410SS
W15	NONMARKING WHEEL FOR PORTABLE UNITS
WS-20CFM	TSUNAMI WATER SEPARATOR 20 CFM

TIMER ADJUSTMENT INSTRUCTIONS

The TR120MF is a multifunction timer.

1. The four switches in the top left (Function) control the timer mode. For fogging/misting applications, switches **A, C, and D** should be ON, and switch **B** should be OFF. This puts the timer in Dual Mode.
2. The six switches in the bottom left (Time Base) control the time interval. The timer is factory set to MINUTES. To change the Time Base to seconds or hours, refer to the chart below.
3. The five switches in the top right (Dual Mode t1) control the delay time.
4. The five switches in the the bottom right (Dual Mode t2) control the run time. The active time for each function is equal to the combined values of any switch(es) that are ON.

NOTICE: the timer is factory set at 2 minute delay, 8 minute run time.

1. FUNCTION (A to D):
This setting puts the time in Dual Mode.

2. TIME BASE (E to K):
Switches E, F, and G control t1.
Switches H, J, and K control t2.

SEE CHART ON SIDE FOR FUNCTION & TIME BASE SETUP

Timer Setting Example

In this example, the delay time has been set to 5 minutes, and the run time has been set to 20 minutes.

1. The FUNCTION is set to Dual Mode.
2. The TIME BASE is set to minutes.
3. The total DELAY time is 5 (1+4=5)
4. The total RUN time is 20 (4+16=20)

3. DUAL MODE (t1):
These switches control the delay time.

4. DUAL MODE (t2):
These switches control the run time.

SELECT FUNCTION					
	FUNCTION	A	B	C	D
SINGLE MODE	ON DELAY	OFF	OFF	OFF	OFF
	INTERVAL ON	ON	OFF	OFF	OFF
	OFF DELAY	OFF	ON	OFF	OFF
	TR. ON DELAY	ON	ON	OFF	OFF
	FLASHER (ON)	OFF	OFF	ON	OFF
	FLASHER (OFF)	ON	OFF	ON	OFF
	WATCHDOG	OFF	ON	ON	OFF
	ONE SHOT F. EDGE	ON	ON	ON	OFF
	SINGLE SHOT	OFF	OFF	OFF	ON
	CYCLE (ON)	ON	OFF	OFF	ON
	CYCLE (OFF)	OFF	ON	OFF	ON
	DELAYED INTERVAL	ON	ON	OFF	ON
ON/OFF DELAY	OFF	OFF	ON	ON	
TR. DELAYED INT.	ON	OFF	ON	ON	
ONE SHOT-FLASHER	OFF	ON	ON	ON	
ON DELAY/FLASHER	ON	ON	ON	ON	

SELECT TIME BASE				
	BASE	E	F	G
SINGLE MODE (t1)	0.01S	OFF	OFF	OFF
	0.1S	ON	OFF	OFF
	1S	OFF	ON	OFF
	0.1M	OFF	OFF	ON
	1M	ON	ON	OFF
	0.1H	ON	OFF	ON
DUAL MODE (t2)	1H	OFF	ON	ON
	10H	ON	ON	ON
	BASE H J K			
	0.01S	OFF	OFF	OFF
	0.1S	ON	OFF	OFF
	1S	OFF	ON	OFF
0.1M	OFF	OFF	ON	
1M	ON	ON	OFF	
0.1H	ON	OFF	ON	
1H	OFF	ON	ON	
10H	ON	ON	ON	

NOTE: SWITCHES H,J,&K ARE ONLY USED ON DUAL MODE FUNCTIONS