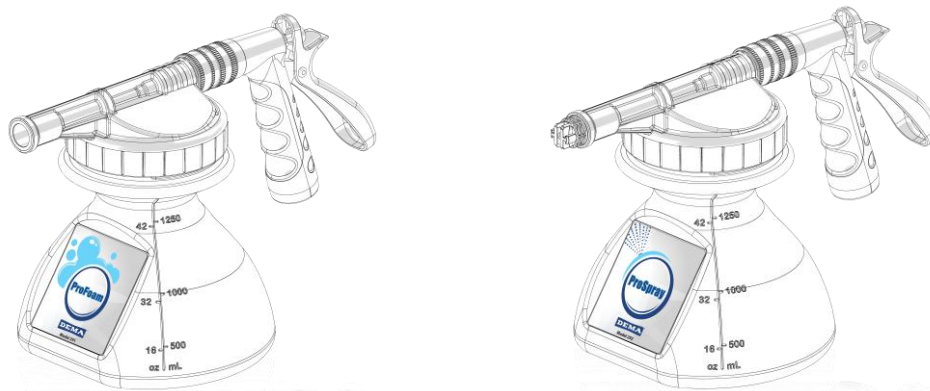




291 ProFoam and 292 ProSpray Hose-End Units



Overview

The ProFoam and ProSpray hose-end units provide a durable and convenient way to simultaneously dilute and apply chemicals to a variety of surfaces. The units easily attach to a water source with a standard $\frac{3}{4}$ " garden hose fitting. Common areas of use include food and beverage processing facilities, kitchens, drains, restrooms, animal facilities, dairy equipment, automobiles, and more. DEMA recommends utilizing two units in areas to be cleaned – a ProFoam for a foaming treatment, then a ProSpray to sanitize. The quick disconnect fitting on these units allows for easy rinsing from either model. Both units include a set of DEMA's most popular metering tips (100.15K) that allow a user to achieve their desired dilution rate.

Each unit has been strategically designed to offer:

- Durability
- A large variety of dilution ratios by using the included metering tips (refer to the dilution table on the back side of this document)
- A wide bottle opening for easy filling
- Ergonomic usage

Warnings



WARNING: INSTALLATION OF DEMA PRODUCTS MUST MEET ALL APPLICABLE PLUMBING CODES AND REGULATIONS ESTABLISHED BY NATIONAL, CITY, COUNTY, PARISH, PROVINCIAL OR OTHER AGENCIES. IT IS POSSIBLE THAT PLUMBING CODES AND REGULATIONS REQUIRE THAT A CERTIFIED INSTALLATION CONTRACTOR OR ENGINEER PERFORM THE PLUMBING INSTALLATION.



ALWAYS TURN OFF THE WATER TO THE DISPENSER WHEN NOT IN USE.

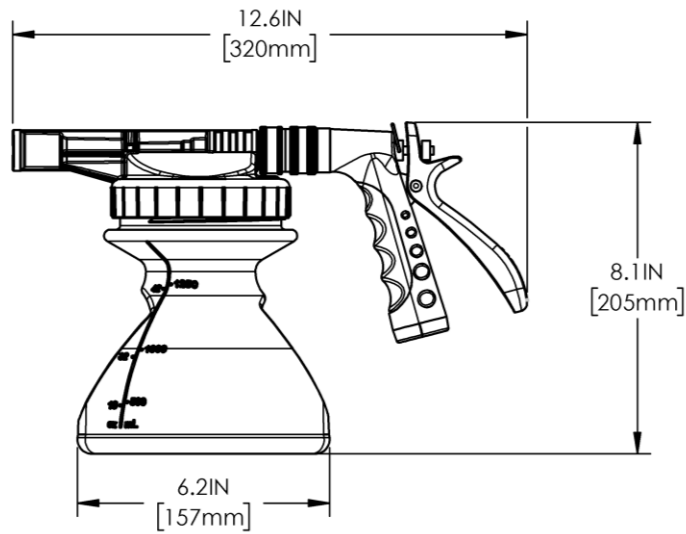
READ ALL PRODUCT SAFETY DATA SHEETS (SDS) AND USE PERSONAL PROTECTIVE EQUIPMENT AS DIRECTED BEFORE INSTALLING OR DISPENSING ANY CHEMICAL FROM THIS DISPENSER.

Water Supply Requirements

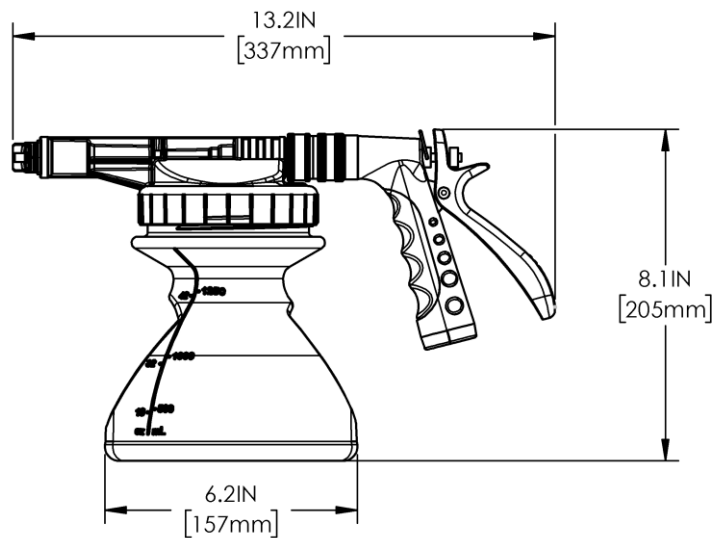
	Minimum	Maximum
Water Pressure	25 psi (1.72 bar)	85 psi (5.86 bar)
Water Temperature	-	125°F (51.6°C)

Overall Size

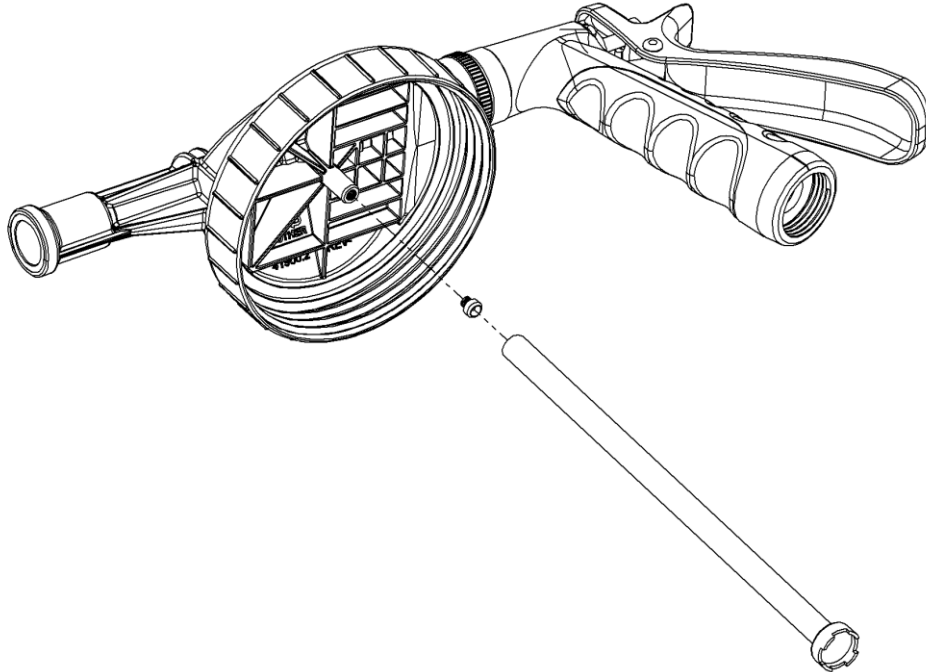
291 ProFoam



292 ProSpray



Initial Configuration and Use



1. Install the desired metering tip by threading the metering tip into the chemical inlet fitting located on the underside of the lid. Refer to diagram above.
 - a. The dilution rates in this instruction sheet are guidelines established using water-thin chemical. Field tests are recommended. If the chemical is thicker than water, then it will be necessary to use a metering tip with a richer dilution rate to achieve the desired results.
2. Install the chemical inlet tubing onto the inlet fitting.
3. Connect the trigger handle to the unit lid with the quick connect fittings.
4. Attach a standard 1/2" ID garden hose to the female hose fitting on the trigger handle.
 - a. It is recommended to utilize a DEMA #44.3 Black Outlet Hose or the DEMA #44.3RG Red Outlet Hose.
5. Follow chemical manufacturer's safety guidelines when handling chemicals and pour them into the ProFoam/ProSpray bottle.
6. Screw the bottle into the cap assembly making sure that the chemical inlet tube is straight and comes in contact with the chemical.
7. Ensure all connections are secure.
8. Pull the trigger to foam or spray, depending on which model is being used.
9. If a rinse is required after applying the product, disconnect the trigger handle from the lid and utilize the trigger handle by itself to rinse down the area being cleaned.

Metering Tip Kit – Dilution Rates

ProFoam (Model 291)			
Tip Color	Ratio :1	Oz/Gal	ml/L
None	5.72	22.40	148.94
Gray	7.19	17.80	122.12
Purple	8.50	15.06	105.30
Black	13.99	9.15	66.71
Yellow	17.26	7.42	54.79
Blue	24.36	5.25	39.43
Green	34.43	3.72	28.23
White	38.16	3.35	25.54
Red	39.35	3.25	24.79
Brown	50.69	2.53	19.35
Light Blue	58.95	2.17	16.68
Pink	77.32	1.66	12.77
Turquoise	126.24	1.01	7.86
Orange	153.62	0.83	6.47
Tan	180.79	0.71	5.50
Lime Green*	228.47	0.56	4.36
Burgundy*	271.96	0.47	3.66
Pumpkin*	337.44	0.38	2.96
Copper*	518.98	0.25	1.92

*Ultra-lean Metering Tips #100.15KU (Not Provided)

ProSpray (Model 292)			
Tip Color	Ratio :1	Oz/Gal	ml/L
None	8.24	15.54	108.26
Gray	10.91	11.73	83.95
Purple	12.38	10.34	74.75
Black	18.62	6.87	50.97
Yellow	22.62	5.66	42.35
Blue	30.61	4.18	31.63
Green	40.22	3.18	24.27
White	44.41	2.88	22.03
Red	46.33	2.76	21.13
Brown	57.00	2.25	17.25
Light Blue	66.98	1.91	14.71
Pink	85.43	1.50	11.57
Turquoise	137.98	0.93	7.20
Orange	170.81	0.75	5.83
Tan	201.72	0.63	4.93
Lime Green*	252.09	0.51	3.95
Burgundy*	299.82	0.43	3.33
Pumpkin*	350.83	0.37	2.85
Copper*	540.86	0.24	1.85

*Ultra-lean Metering Tips #100.15KU (Not Provided)

Note: All induction flow rates are based on a water pressure of 40 psi and water thin products (1 cps). Induction rates vary product to product.

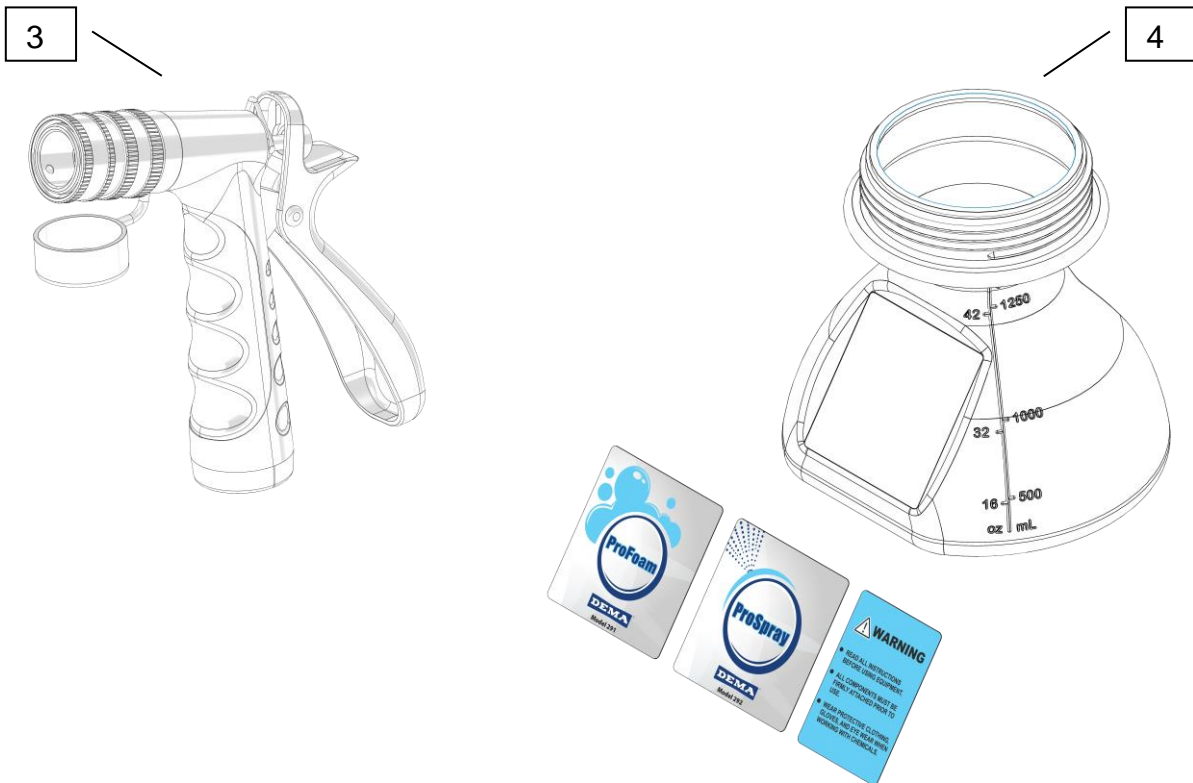
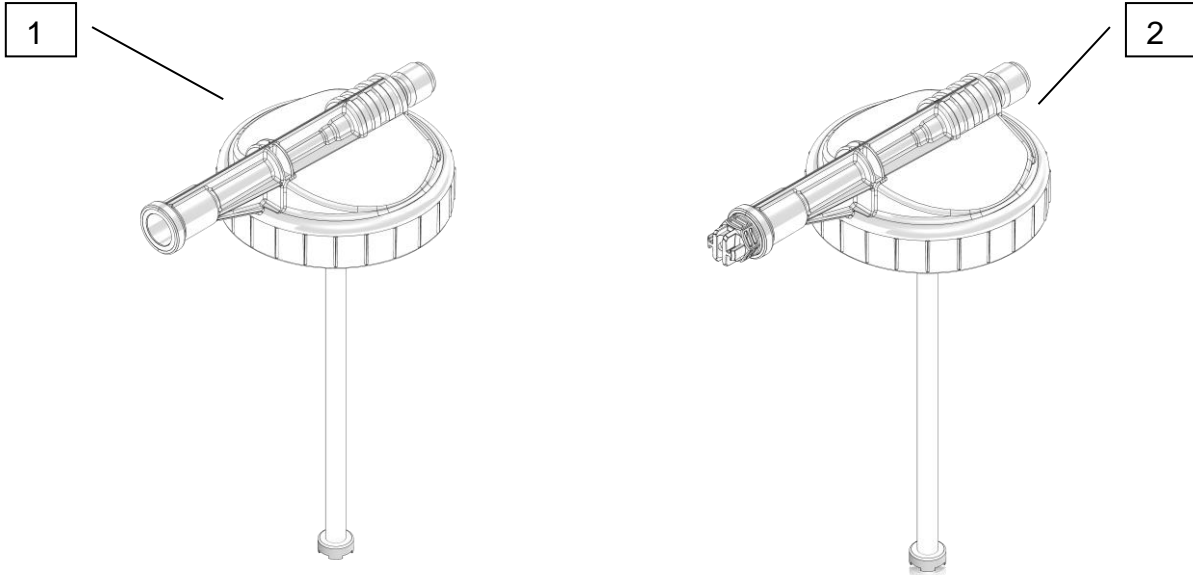
Dilution rates will vary based on the properties of the water supply and the viscosity of the chemical being used. DEMA recommends verifying all dilution rates for optimal performance.

Troubleshooting

Symptom	Probable Cause	Remedy
Unit is not drawing chemical	Inlet tube is not securely attached	Slide the chemical inlet tubing onto the fitting on the underside of the unit
	Chemical inlet strainer is clogged with debris	Rinse strainer to remove debris
	Product viscosity is too thick	Try an alternate product
	Metering tip is clogged with chemical build-up	Remove metering tip and soak it in hot water to remove build-up. Replace metering tip if build-up cannot be removed
Unit will not shut off	The metal trigger latch is preventing the handle from returning to the "off" position	Press handle to release tension off of the trigger latch, then disengage the trigger latch
Unit is not spraying	Water supply is off or hose is kinked	Verify that the water is on and hose is free of any restrictions
Leaking at threaded connections	Connection between dispenser and water supply is too loose or hose washer is missing	Inspect connection, verify washer is present, tighten fittings
Chemical is not dispensing at the correct dilution rate	Water source is not within recommended parameters	See "Water Supply Requirements" section of instructions
	Different metering tip required to hit target dilution	See "Metering Tip Kit – Dilution Rates" chart. Perform field tests to verify dilution rate
	Hose diameter is too narrow	Ensure that the unit is attached to a 1/2" ID hose. It is recommended to use #44.3 (25' black) or #44.3RG (25' red) hoses available from DEMA.
	Water temperature is too high	Use water that's below the unit's max water temp of 125°F (51.6°C)

Replacement Parts

ITEM NO.	PART NO.	DESCRIPTION
1	29.1	ProFoam Top with Pickup Tube
2	29.2	ProSpray Top with Pickup Tube
3	29.QD	ProFoam/ProSpray Trigger Handle with Quick Disconnect
4	29.B	ProFoam/ProSpray Chemical Bottle (with labels)
not shown	100.15K	Metering Tip Kit



Warranty

Merchandise Returns

No merchandise will be returned for credit without DEMA'S written permission. Returned merchandise authorization number is required in advance of return.

Product Warranty

DEMA products are warranted against defective material and workmanship under normal use and service for one year from the date of manufacture. This limited warranty does not apply to any products that have a normal life shorter than one year or failure and damage caused by chemicals, corrosion, physical abuse, or misapplication. Rubber and synthetic rubber parts such as "O"-rings, diaphragms, PVC tubing, and gaskets are considered expendable and are not covered under warranty. This warranty is extended only to the original buyer of DEMA products. If products are altered or repaired without prior approval of DEMA, this warranty is void.

Defective units or parts should be returned to the factory with transportation prepaid. If inspection shows them to be defective, they will be repaired or replaced without charge, F.O.B. factory. DEMA assumes no liability for damages. Return merchandise authorization number must be granted in advance of returned units for repair or replacement (See "Merchandise Returns" above).