

---

# **USER MANUAL**

**MODEL NUMBER:  
SP-5N  
SP-5NK  
SP-5NV  
AND RELATED UNITS**

**5 Gallon Air Operated Portable Spray  
Equipment**

---

**English (Original Instructions)**

---

## READ ALL INSTRUCTIONS BEFORE OPERATING EQUIPMENT



# WARNING



Read this manual completely and understand the machine before operating or servicing it.

- Read all instructions before installing or operating unit.
- Always wear appropriate personal protective equipment (PPE) when operating or servicing unit.
- Always follow all chemical safety precautions and handling instructions provided by the chemical manufacturer and Safety Data Sheet (SDS).
- Never point the discharge trigger gun at yourself, another person, or any object you do not want covered in chemical.
- Always depressurize unit after use (as described in the After Use Instructions), and store unit depressurized.
- Do not exceed an incoming air pressure of 100 psi (7 bar).
- Do not exceed a fluid temperature of 100°F (37°C).
- Only use clean and dry air. Air must be filtered and free of moisture or pump life will be diminished. If needed, install an air dryer before unit.
- Do not use an air lubricator before the unit.

### PROTECT THE ENVIRONMENT

Please dispose of packaging materials, old machine components, and hazardous fluids in an environmentally safe way according to local waste disposal regulations.



Always remember to recycle.

\*Specifications and parts are subject to change without notice.

### Specifications:

Hose ..... 30 feet reinforced hose, 3/8 inch inside diameter  
(9 meters reinforced hose, 9.5 mm inside diameter)  
Tank Capacity..... 5 gallons (20 liters)  
Spray Output..... 2 gallons/minute (7.5 liters/minute)  
Spray Output Distance..... 10 to 12 feet (3 to 4 meters)  
Liquid Temperature ..... 40°F to 100°F (4.4°C to 37°C)

### Dimensions:

Length ..... 25 in (635 mm) approximately  
Width ..... 14 in (356 mm) approximately  
Height ..... 22 in (559 mm) approximately  
Weight, including discharge hose and wand:  
(Empty) ..... 31 lbs (14 kg) approximately

### Requirements:

Compressed Air Source Requirements: Air regulator (R25) is factory set at 50 psi (3.4 bar). Operating range is 40 to 80 PSI (3 to 5 bar) with 2 CFM (56.6 l/min).

Chemical Requirements: Follow all instructions from chemical manufacturer and Safety Data Sheet (SDS).

### Air Operated Double Diaphragm Pump Models Offered:

P56: Polypropylene body with Santoprene diaphragm

P56V: Polypropylene body with Viton diaphragm

P56K: Polypropylene body with Kalrez diaphragm

### Acceptable Products:

Alkaline cleaners, Caustic cleaners, Sanitizers, and Acids

\* D-Limonene may only be used with Kalrez pump

\* Chlorine may only be used with Viton or Kalrez pump

**DO NOT USE: All hydrocarbons**

## READ ALL INSTRUCTIONS BEFORE OPERATING EQUIPMENT

### Operation Instructions

Wearing all PPE and observing all safety precautions dictated by the MSDS for your chemical:

1. Fill the tank with the solution to be sprayed.
2. Connect an appropriate compressed air line into the air inlet fitting (AP25).
3. Squeeze the discharge trigger gun (PSG12) to begin spraying.

### After Use Instructions:

1. Flush the unit with fresh water for 5 minutes.
2. Disconnect the air line from the air fitting (AP25) and relieve any pressure remaining in the system by squeezing the discharge trigger gun (PSG12).
3. Release the discharge trigger gun (PSG12) after all pressure has been relieved from the system.

### Maintenance Instructions:

To keep your portable unit operating properly, periodically perform the following maintenance procedures:

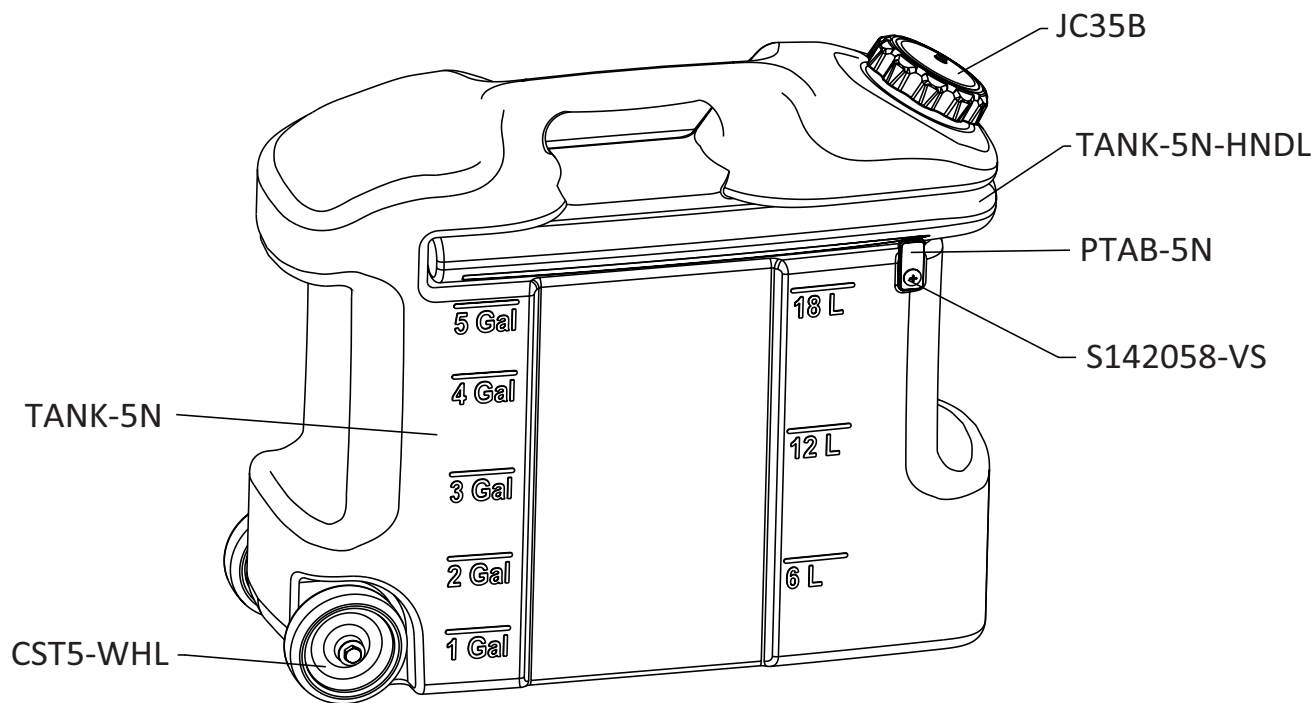
- Check the air pump (P56/P56K/P56V) for wear and leaks.
- Inspect hoses for leaks or excessive wear. Make sure all hose clamps are in good condition and properly secured.
- Replace filter (AFR25) in regulator (R25) as needed.
- Check the suction tube and screen for debris and clean as needed.
- Drain compressor tank on a regular basis to ensure proper operation of pump.

### Troubleshooting Instructions:

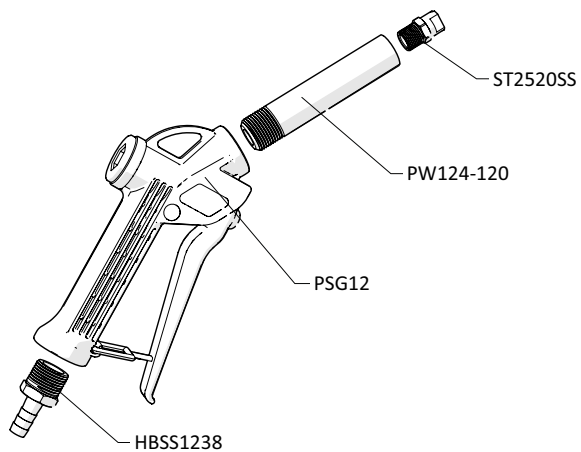
- Check to ensure that the discharge hose is uncoiled properly, and that there are no kinks that could obstruct fluid flow.
- Check the air regulator bowl (ABR25) and air filter (AFR25) for debris such as water, oil, or rust particles. Clean by unthreading the air regulator bowl (ABR25) from the air regulator (R25).
- Check the strainer (STR38-IL) for debris or other blockages, and clean as needed. Replace strainer if damaged. Strainer must be used.
- If air passes through the pump (P56/P56K/P56V) without cycling, the pump needs to be replaced.
- Check for proper air pressure on the air gauge (AG100). The air regulator (R25) is factory set at 50 psi (3.4 bar). Operating range is 40 to 80 PSI (3 to 5 bar) with 2 CFM (56.6 l/min).
- If the unit operates at a reduced pressure:
  - Check the air compressor supplying the unit. If the pressure is less than 40 psi, turn the unit off until the compressor can catch up.
  - If the air supply is 50 psi (3.4 bar) or above, check the air gauge (AG100), which should read near 50 psi (3.4 bar). If the air gauge reads more or less than 50 psi (3.4 bar), adjust the pressure by turning the knob on the top of the air regulator (R25).

## READ ALL INSTRUCTIONS BEFORE OPERATING EQUIPMENT

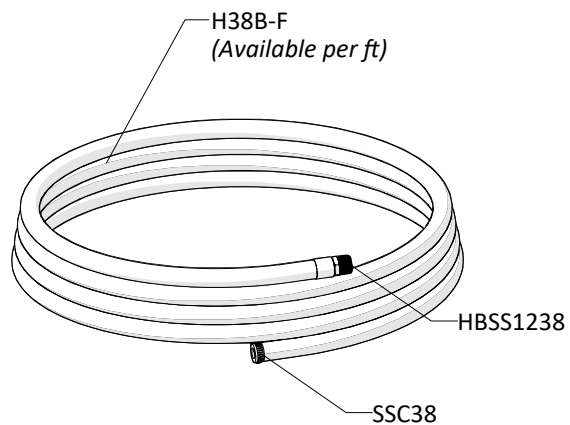
### TANK ASSEMBLY ITEM NUMBER: TANK-5N-A



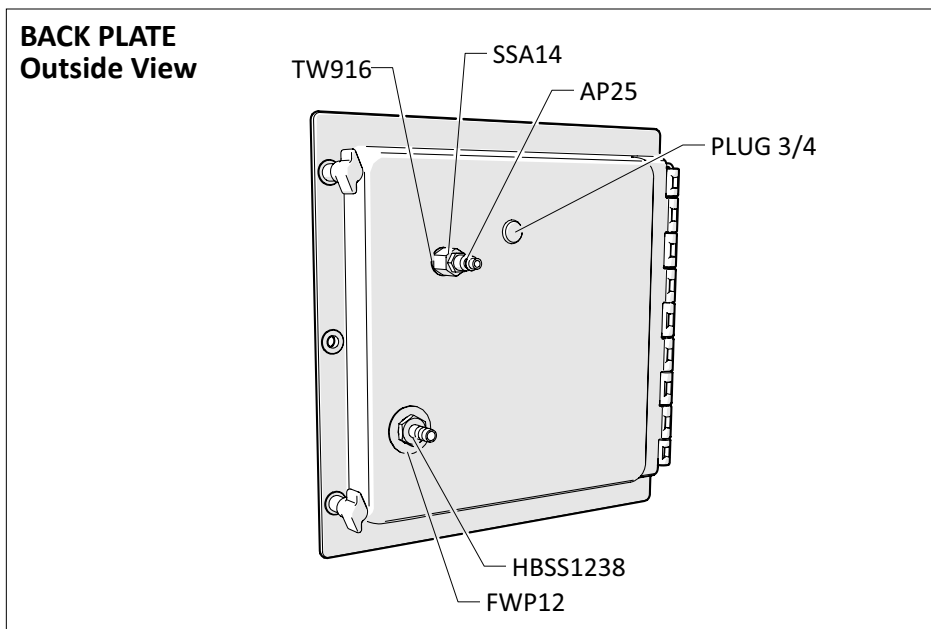
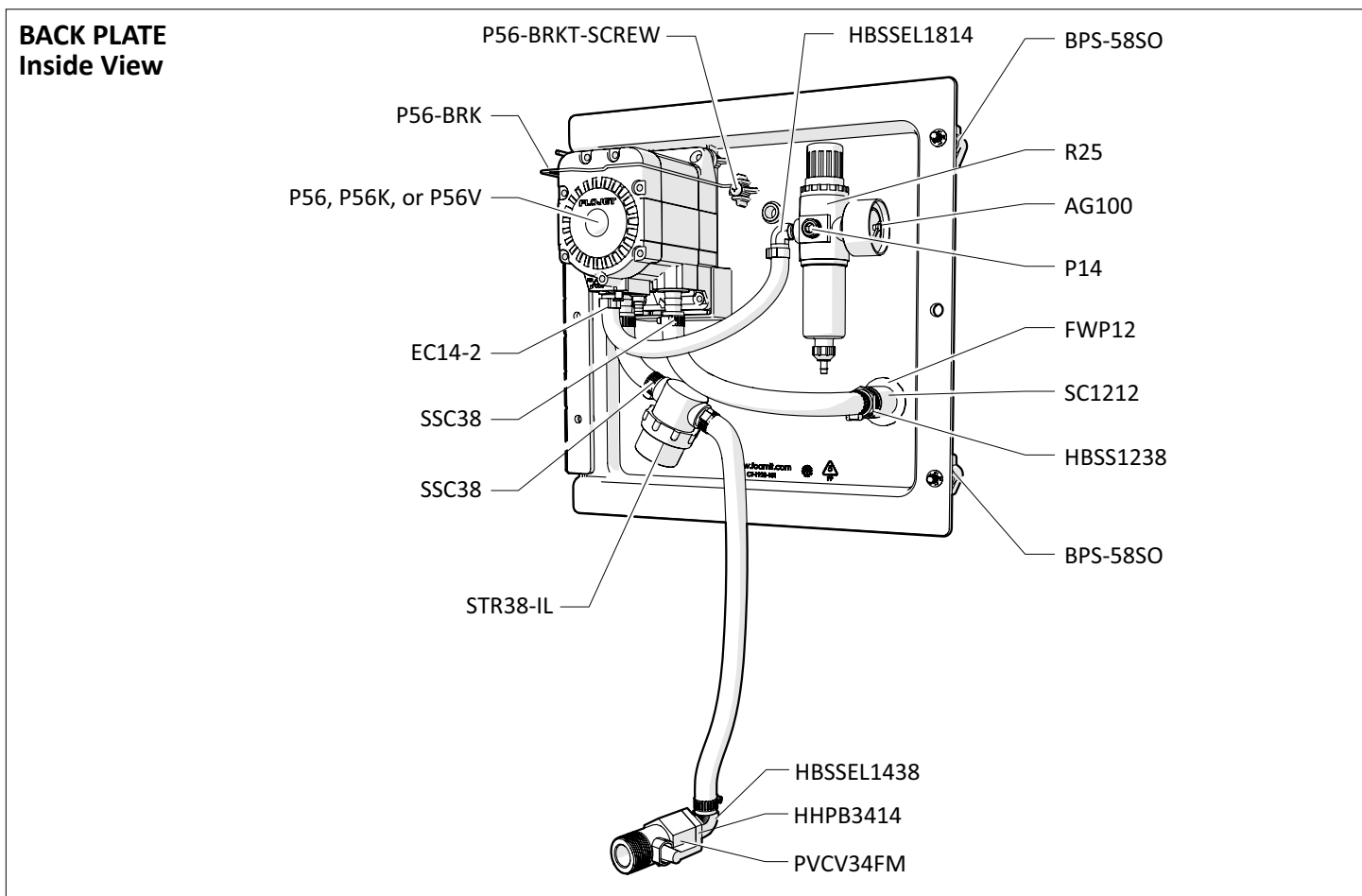
### SPRAY GUN ASSEMBLY ITEM NUMBER: SGA14



### DISCHARGE HOSE ASSEMBLY ITEM NUMBER: H38-30



**READ ALL INSTRUCTIONS BEFORE OPERATING EQUIPMENT**



**OPTIONAL COMPONENTS**

WATER SEPARATOR  
ITEM NUMBER: WS-20CFM

AIR HOSE ASSEMBLY  
ITEM NUMBER: AH30

## READ ALL INSTRUCTIONS BEFORE OPERATING EQUIPMENT

ITEM NUMBER	DESCRIPTION
AG100	1.5 INCH DRY MODEL 20 DUAL SCALE GAUGE
AH30	30 ft Air Hose w/ Quick Connect Fittings
AP25	PLUG 1/4 NPTM AIR FITTING - BRASS
BPS-58SO	Back Panel Screw - 5/8 inch with Stand Off
BPS-SSR	1/4 INCH PUSHNUT BOLT RETAINER STAINLESS STEEL
CST5-WHL	4 INCH REPLACEMENT WHEEL FOR CST5SS AND CST5SS-L
EC14-2	OETIKER CLAMP 13.8
F38SS	STAINLESS 3/8 INCH FERRULE
FWAX15	FLAT AXLE WASHER
FWP12	7/8 ID X 1.5 OD X 0.05 THK SSFW
H14B-F	1/4 INCH BLUE HOSE-HYBRID TPE - Available per ft.
H38B-F	3/8 INCH BLUE HOSE-HYBRID TPE - Available per ft.
HBSS1238	STAINLESS HOSE BARB 1/2mpt X 3/8 barb Tariff 8479.90.9496
HBSS1814	304 STAINLESS ELBOW 1/8 INCH NPT X 1/4 INCH HOSE BARB
JC35B	BLACK 3.5 INCH ONE WAY VENTED CAP POLYPROPYLENE WITH GASKET AND CHECK VALVE
P14	COUNTERSUNK PLUG-HEXAGON 1/4
P56	5700 PUMP WITH SANTOPRENE SEALS - INCLUDES HOSE BARBS, AIR FITTING, AND AIR PORT
P56K	5700 PUMP WITH KALREZ SEALS - INCLUDES HOSE BARBS, AIR FITTING, AND AIR PORT
P56V	5700 PUMP WITH VITON SEALS - INCLUDES HOSE BARBS, AIR FITTING, AND AIR PORT
P56-BRKT	PUMP BRACKET- STAINLESS STEEL
P56-BRKT-SCREW	HI LO SCREW FOR RETAINING P56-BRKT
PLPF	PORTABLE FOAMER BACK PLATE W/ HINGE AND HOLES
PLPF-PIN	302 STAINLESS PORTABLE PLATE HINGE PIN
PSG12	Assembly with o-rings included/1/2in POLY SPRAY GUN W/ GRAY HNDL. & 316SS
PSGORV	PSG12 VITON O RING
PTAB-5N	HDPE Tab for TANK-5N HNDL
PW124-120	1/2in BLACK POLY PRO X 4in - SCH.120 - 1/2in MPTOE & 1/4in FPTOE
R25	AIR REGULATOR - SILVER COLOR - 1/4ft TWO PORT 1/8ft TWO PORT - INCLUDES FILTER AND BOWL
AFR25	AIR FILTER for R25
ABR25	METAL AIR BOWL for R25
S142058-VS	1/4-20 X 5/8 PHIL TRUSS MACHINE SCREW 18-8 W/#516 VIBRASEAL ORANGE PATCH
SC1212	S.S. COUPLER 1/2in BY 1/2in

SSA14	SS304 MALE/FEMALE ADAPTOR 1/4 NPT X 1/4 NPT
SSC38	WORM GEAR CLAMP, S/S (.25-.63)
SS-TAB	STAINLESS STEEL TAB 5/8 x 3/4 WITH 1/4 INCH MOUNTING HOLE
STR38-IL	IN LINE STRAINER 3/8 BARB 20 MESH 304 STAINLESS EDPM GSKT
ST2520SS	SPRAY TIP-25 DEGREE FAN-2.0 GPM-STAINLESS-1/4 MPT
TANK-5N	5 GALLON ROTO MOLDED TANK WITH HANDLE
TANK-5N-HNDL	HANDLE FOR TANK-5N
TW916	1/2 INT TOOTH L/W 410SS
WS-20CFM	TSUNAMI WATER SEPARATOR 20 CFM