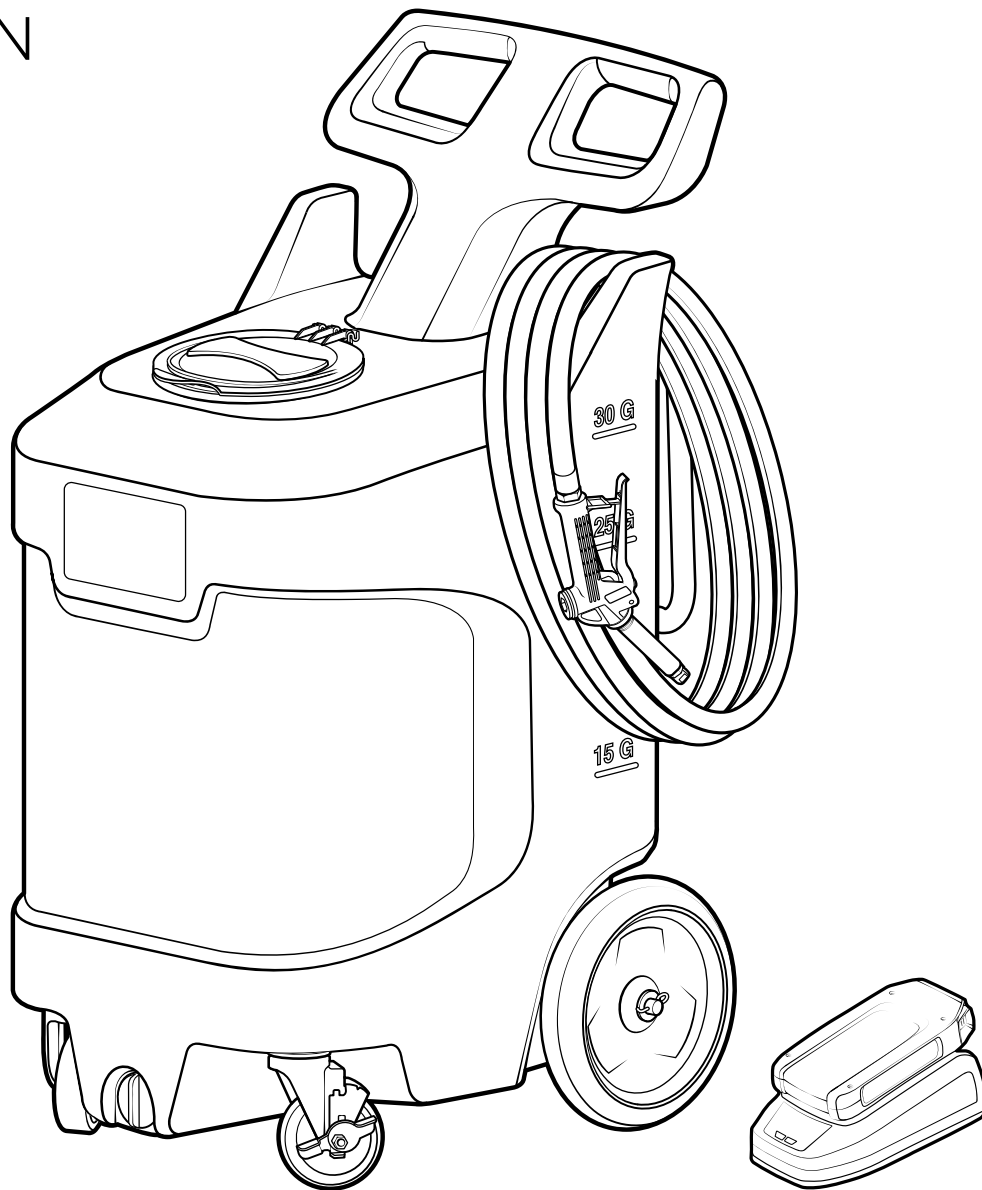


30 Gallon Battery Powered Spray Unit

Service Manual

SP-BP-30N



READ ALL INSTRUCTIONS BEFORE USING OR SERVICING THIS UNIT. KEEP THIS MANUAL IN A LOCATION THAT IS READILY AVAILABLE TO USERS AND SERVICE TECHNICIANS.

English (Original Instructions)



Scan this code for
service manual



Safety

WARNING

PEOPLE OR OBJECTS CAN BE HURT OR DAMAGED IF THIS UNIT IS NOT USED CORRECTLY!



Failure to read all the instructions before operating the unit may result in personal injury or death from the improper use or the chemical solution. Anyone handling, operating or using the unit must read and understand the instructions in the manual. The buyer assumes all responsibility for safety and proper use in accordance with the instructions.

The unit is not to be used by persons (including children) with reduced physical, sensory or mental capabilities, or lack of experience and knowledge, unless given supervision or instructed in the safe use of the unit and understand the hazards involved. Children under 8 years old should be supervised to ensure they do not play with or handle the unit.



Using or servicing the unit without appropriate personal protective equipment (PPE) may result in serious injury such as burns, rashes, eye, throat or lung damage and death. Always wear PPE as indicated in the Safety Data Sheet (SDS) when using or servicing the unit. Protect eyes, skin, and lungs against drifting spray.



Chemical solutions may pose a health risk and death if they contact the skin or eyes, are inhaled or swallowed. Always read and follow all chemical safety precautions and handling instructions provided by the chemical manufacturer and the SDS associated with the chemical solution before using the unit.



Pressure within the equipment may cause an unexpected release of the chemical solution and cause serious injury such as burns, rashes, eye damage, throat or lung damage and death. Always depressurize and clean the unit after each use. Never leave the unit unattended while pressurized.

Using the unit with fluid temperatures above 100°F (37.8°C) may result in scalding, burns, serious injury or death. DO NOT use a solution with a temperature above 100°F (37.8°C).

Some components may be hot during and after use. Use caution when servicing or handling the equipment.



Operating the unit when damaged or leaking may result in exposure to chemical solutions, serious injury or death. Never use the unit if it is damaged or leaking.

Use of hydrocarbons and flammable products may result in explosions, fire and serious injury or death. Never use hydrocarbons or flammable products with the unit.



Mixing an alkaline with an acid may result in a chemical reaction. Overheating of mixture may cause it to splatter caustic compounds or release hazardous fumes, gas and vapors. Always flush the unit with fresh water thoroughly when switching from an alkaline to an acid or an acid to an alkaline.

Never point the discharge wand at yourself, another person, or any object you do not want covered in chemical.



Keep battery box lid closed and latched at all times unless accessing battery. Do not use with lid open or damaged. Do not expose unit to liquids, cleaning solutions, foam, or rain. The battery pack is not waterproof. Do not submerge in liquid. If battery pack gets wet, allow to dry before further use.

Using the unit with unapproved devices may result in a risk of fire, shock or personal injury. Only use with 24V Equip Series compatible equipment.

Store unit and battery indoors in a cool, dry location between 32°-77°F (0°-25°C) and < 75% relative humidity. Do not store below 32°F (0°C) or above 113°F (45°C). To prevent premature battery failure, do not store battery in depleted state for long periods of time.

Safety

WARNING

First Aid Instructions

- Failure to follow first aid instructions may result in death or serious personal injury.
- If battery liquid comes in contact with skin, wash immediately with soap and water, then neutralize with lemon juice or vinegar.
- If battery liquid gets in your eyes, flush with clean water for a minimum of 10 minutes, then seek immediate medical attention.
- If battery liquid is swallowed, seek immediate medical attention.

State of California Proposition 65 Warning

- The battery can expose you to chemicals, including cobalt, lithium, manganese, nickel, oxide, and carbon black, which are known to the State of California to cause cancer and reproductive harm. For additional information, go to www.P65Warnings.ca.gov.

NOTICE

The unit is not rated for high-altitude areas of 2000 meters and above.

Servicing or modifying this unit with parts not listed in this manual may cause the unit to operate improperly. Do not use unauthorized parts when servicing the unit.

In the presence of radiated RF energies, the charge indicator button can lose functionality. Refer to the separate manuals supplied with the battery and charger for additional safety precautions and instructions.

PROTECT THE ENVIRONMENT



Please dispose of packaging materials, old machine components, and hazardous fluids in an environmentally safe way according to local waste disposal regulations



Model No.: SP-BP-30N
Manufactured by: FOAMit
3833 Soundtech Ct. SE Grand Rapids, MI 49512 US

This equipment has been tested and found to comply with the limits for a **Class A** digital device, pursuant to part 15 of the FCC Rules. These limits are designed to provide reasonable protection against harmful interference when the equipment is operated in a commercial environment. This equipment generates, uses, and can radiate radio frequency energy and, if not installed and used in accordance with the instruction manual, may cause harmful interference to radio communications. Operation of this equipment in a residential area is likely to cause harmful interference in which case the user will be required to correct the interference at his own expense.

Service Guide

WARNING

Performing any maintenance with the unit pressurized, may result in serious injury or death. Always ensure the unit has been depressurized, and battery has been removed before conducting any maintenance. Cleaning and user maintenance shall not be made by children without supervision. Servicing or modifying unit with parts not listed in this manual may cause the unit to operate improperly. Do not use unauthorized parts when servicing the unit.

Maintaining Your Unit

To keep your unit operating properly, periodically perform the following maintenance procedures:

- Inspect the pump for wear and leaks.
- Inspect all hoses for leaks or excessive wear. Verify all hose clamps are in good condition and properly secured.
- Check the suction line and strainer for debris. Clean as needed..
- Store battery in a half-charged state and maintain battery every 3-6 months.

Servicing Your Unit

Most repairs on the unit can be performed with the following tools:

- Crescent wrench (2x)
- ¼ in. (7 mm) hex bit
- Flat head screwdriver
- Thread seal tape
- #2 Phillips head screwdriver
- #3 Phillips head screwdriver
- Hose cutters
- Knife

Troubleshooting Your Unit

If your unit is not operating properly, try using these troubleshooting tips:

Issue	Solution
Pump is cycling improperly	<ul style="list-style-type: none"> • Verify pump did not fail from chemical attack, or electrical malfunction. • Ensure proper chemical and concentration are being used. • Verify product is getting to the pump with these steps: <ol style="list-style-type: none"> 1. Make sure the tank has chemical solution in it. 2. Ensure the suction line valve is open completely. 3. Inspect suction line and strainer for debris or damage. • If these steps are confirmed, the pump may need to be replaced.
The unit operates at a reduced pressure	<ul style="list-style-type: none"> • Inspect suction line and strainer for debris or damage. Clean or replace as needed. To prevent damage to the unit, the strainer must always be used. • Inspect discharge hose assembly for build up.
Battery will not completely charge	<ul style="list-style-type: none"> • Place a secondary battery on the charger. If the secondary battery charges as expected, it indicates that the initial battery is faulty and should be replaced. • If the problem continues to occur, the charger is bad. Replace battery charger.
Battery discharges too quickly	<ul style="list-style-type: none"> • Battery has reached life expectancy. Replace battery.
Power button LED slow flashing	<ul style="list-style-type: none"> • Dead battery. Charge or replace battery.
Power button LED fast flashing	<ul style="list-style-type: none"> • Startup failure. Reset with a power cycle. • A faulty pump may need to be replaced.
Power button LED double flashing	<ul style="list-style-type: none"> • Pump is over temperature. Allow unit to cool before use.
Battery/charger fault light is flashing	<ul style="list-style-type: none"> • Refer to the separate manuals supplied with the battery and charger for more information regarding indicator and fault lights.

Tank Assembly

Front view

TNKA-30N-BK:

30 gallon natural tank assembly - black* lid - includes drain plug, wheels, suction valve, and backplate thumb nuts

LDA-7BK:

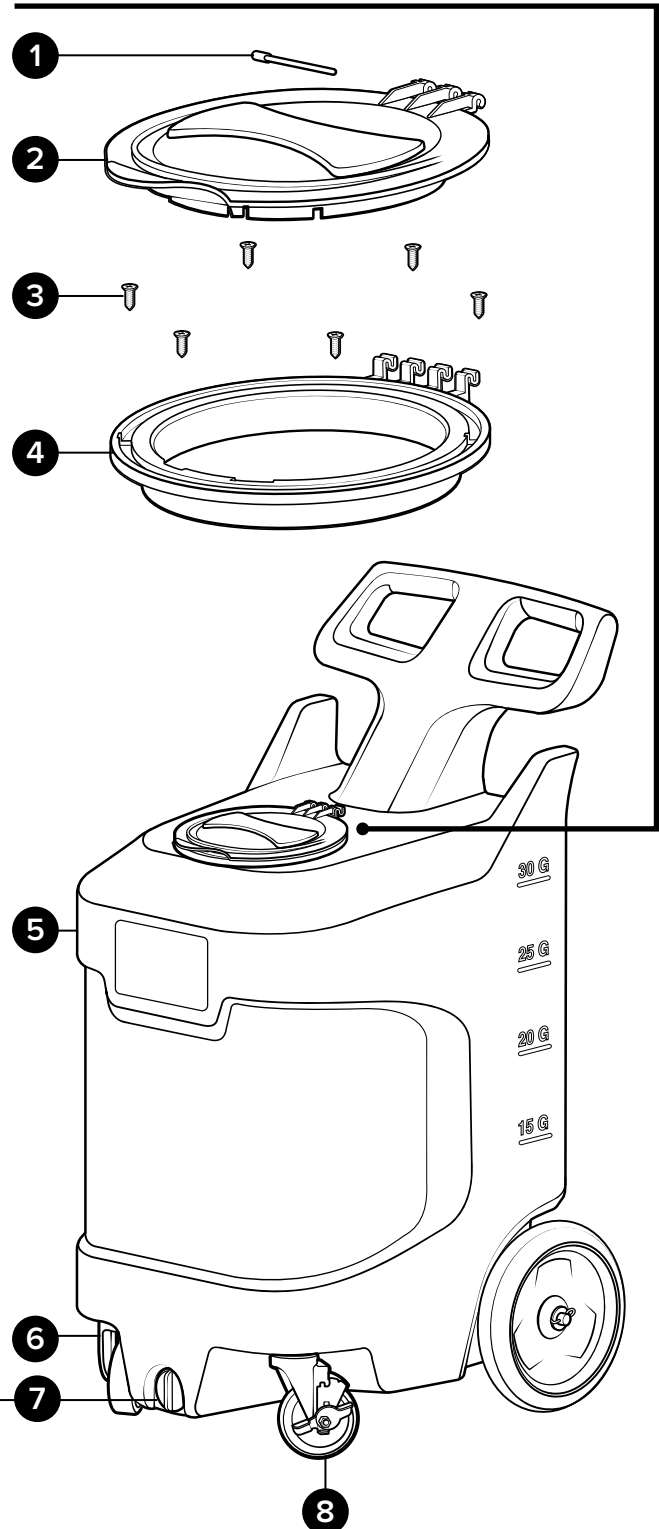
Lid assembly - includes 7 in. black* lid, lid flange, hinge pin, and mounting screws

Item number	Description	
1	LD-PIN	Hinge pin for 7 in. lid and flange
2	LD-7BK-LID	Lid - 7 in. - polypropylene - black*
3	S812-FH	Screw - #8 x 1/2 in. - stainless steel - flat head Phillips
4	LD-7BK-FLNG	Lid flange - 7 in. - polypropylene - black*

* Additional colors available, see datasheet for options.

Item number	Description	
5	TNK-30N	Tank - 30 gallon natural - portable
6	CST5SS	Swivel caster - stainless - 5 in. clearance - 4 in. wheel
7	DPA	Drain plug assembly for portable units - includes gasket
8	CST5SS-L	Swivel caster - stainless - 5 in. clearance - 4 in. wheel - with lock

LDA-7BK



Tank Assembly

Back view

TNKA-30N-BK:

30 gallon natural tank assembly - black* lid - includes drain plug, wheels, suction valve, and backplate thumb nuts

BPTNA:

Back plate thumb nut assembly - includes bolt, thumb nut, and tether

Item number	Description
1	BST1420118-VS Bolt - set - 1/4-20 x 1 1/8 in. - stainless steel - Vibra-Seal
2	TN1420 Thumb nut - 1/4-20 x 1 1/4 in. - PP - brass insert - assembled with tether

VLVA-BVPVC34:

Suction valve assembly - includes 3/4 in. PVC valve, bushing, 3/4 in. hose barb elbow, and screw band clamp

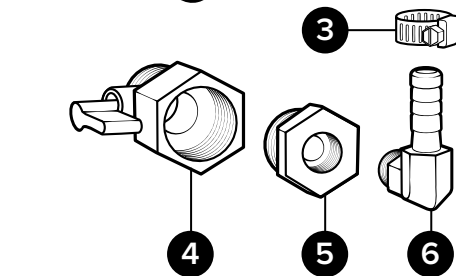
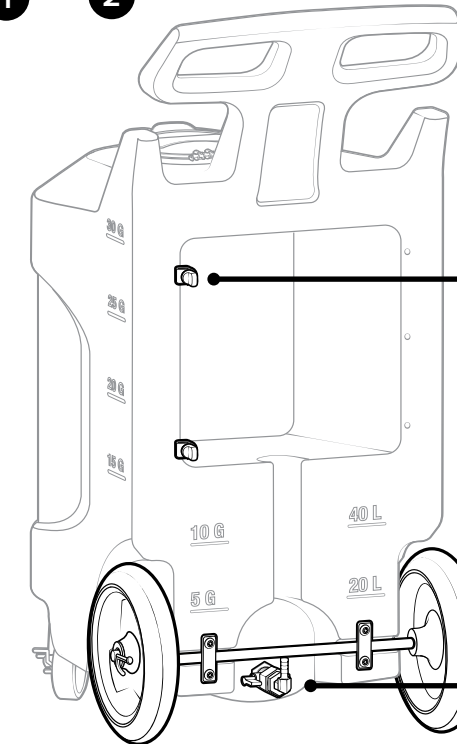
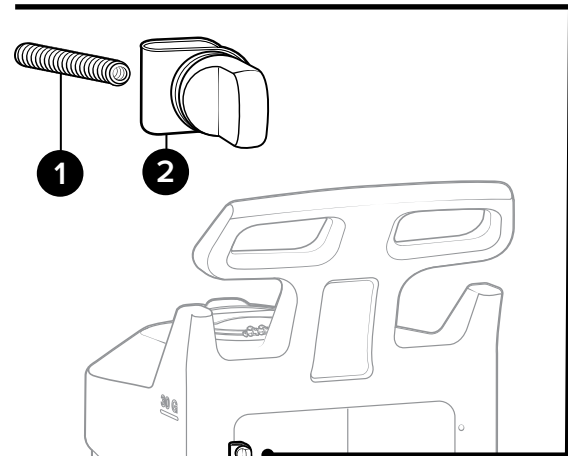
Item number	Description
3	SSC38 Screw band clamp - stainless steel - for 3/8 in. hose
4	BVPVC34MF Ball valve - PVC - 3/4 NPT to 3/4 FNPT - Buna seal
5	HHPB3414 Hex head poly bushing 3/4 MPT x 1/4 FPT
6	HBSEL1438 Hose barb - stainless steel - elbow - 1/4 in. MPT x 3/8 in. barb

WHLA-AXL1812:

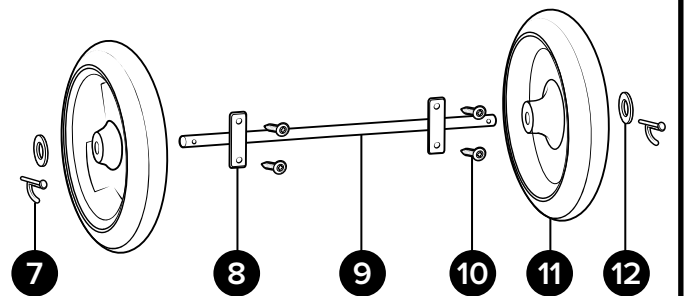
10 in. wheel assembly - includes 18.5 in. stainless steel axle, axle plate, bolts, washers, and cotter pins

Item number	Description
7	COT Cotter pin - stainless steel - 1/8 in. dia x 1 in. long
8	PLSS-AXL Axle plate - stainless steel - 2.5 in. x 1 in. - 2 holes
9	AXL1812 Axle - stainless - 0.625 dia. x 18.5 in.
10	B142012-VS Bolt - 1/4-20 x 1/2 in. - stainless steel - truss head Phillips - Vibra-Seal
11	W10 Wheel - 10 in. - non-marking
12	FW58 Flat washer for 5/8 in. od pipe or axle - stainless steel - 0.64 in. id x 1.2 in. od x 0.05 in. thk

BPTNA



VLVA-BVPVC34



WHLA-AXL1812

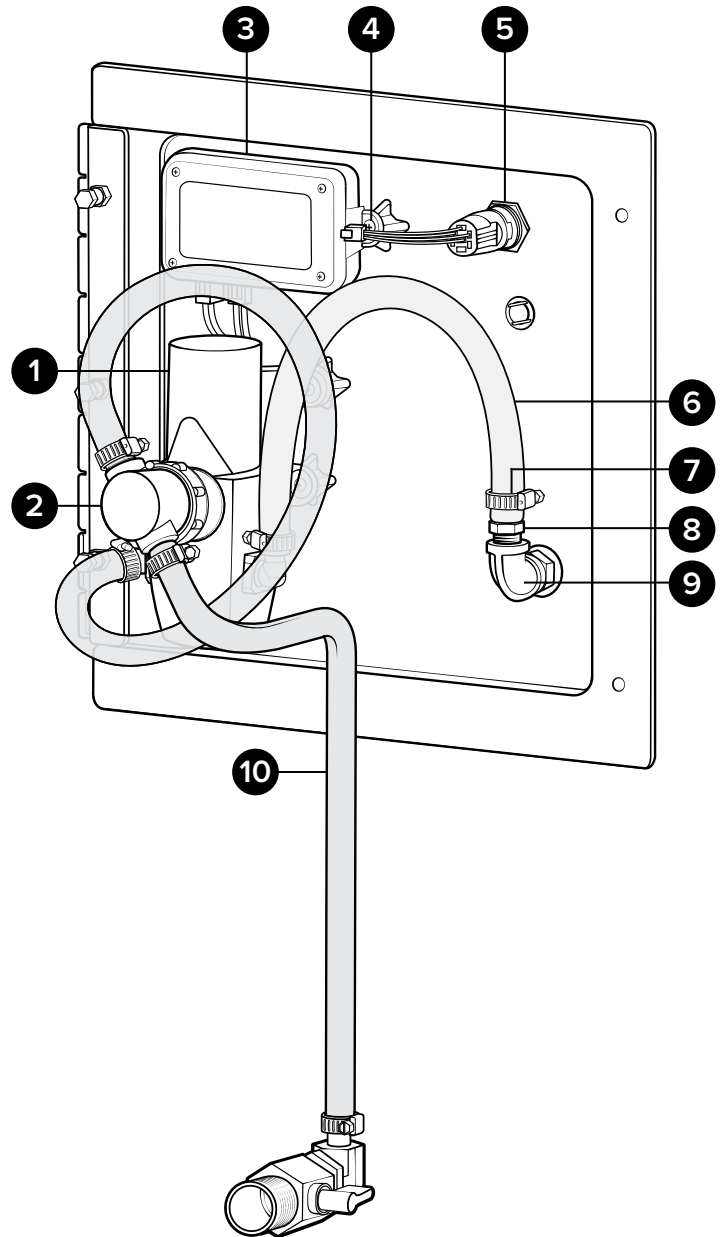
Back Plate Assembly

Inside view

PA-SP38-BP:

Plate assembly for portable spray battery unit - 24V battery - 3/8 in. discharge hose barb - battery and charger sold separately

Item number	Description
1	EP24VDC-1-PS-MLX Electric fluid pump - 24 VDC - 1 GPM open flow - 40 PSI max - Viton seals - Santo diaphragm includes pressure switch and molex connector
2	STR38-IL-80 In line strainer - 2x 3/8 hose barb - EPDM gasket - #80 mesh stainless steel screen - gray bowl
3	LVRC-24V Low voltage relay controller - 24 Volt - for SP-BP units
4	S1034-HL Screw - #10 x 3/4 in. - stainless steel - round head Phillips - hi-lo thread
5	PBSA-24V Push button switch assembly - includes 24V LED locking switch and wire harness
6	H38BL-F 3/8 in. id blue hose - hybrid TPE available per ft.
7	SSC38 Screw band clamp - stainless steel - for 3/8 in. hose
8	HBSS1438 Hose barb - stainless steel - 1/4 in. MPT x 3/8 in. barb
9	SEL14F SS Elbow 1/4 in. FPT x 1/4 in. FPT
10	H38BK-HT 3/8 in. black hose - high temp EPDM rubber - available per ft.



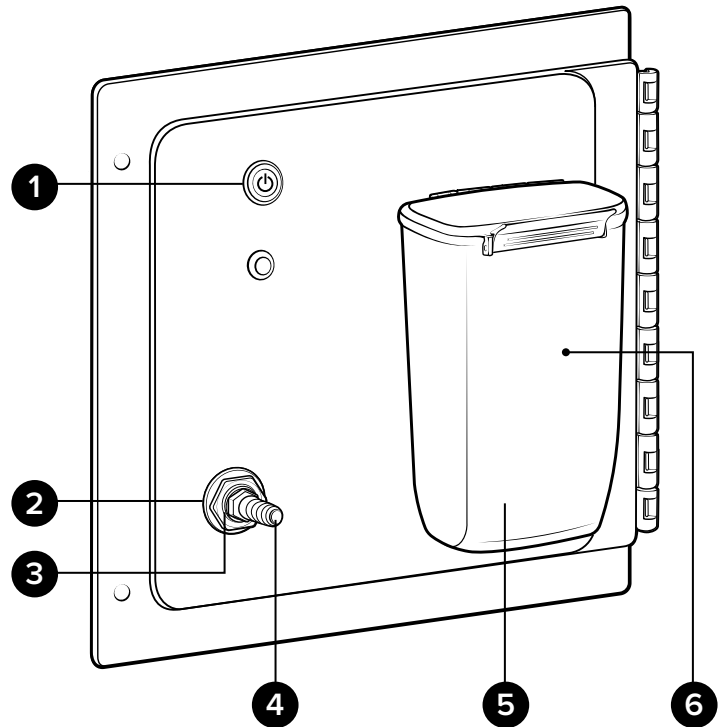
Back Plate Assembly

Back view

PA-SP38-BP:

Plate assembly for portable spray battery unit - 24V battery - 3/8 in. discharge hose barb - battery and charger sold separately

Item number	Description
1	PBSA-24V Push button switch assembly - includes 24V LED locking switch and wire harness
2	SSSFN12 Serrated flange nut - stainless - 1/2 in.
3	SSA14BKH Bulkhead adapter - stainless steel - 1/4 in. NPT x 1/4 in. NPSM
4	HBSS1438 Hose barb - stainless steel - 1/4 in. MPT x 3/8 in. barb
5	BLI-24V-BB Battery box - includes box, lid, latch, pins, and gasket
6	BLI-24V-RCVR Battery receiver interface plate for BLI-24V system

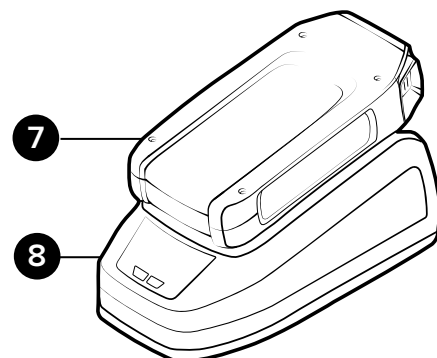
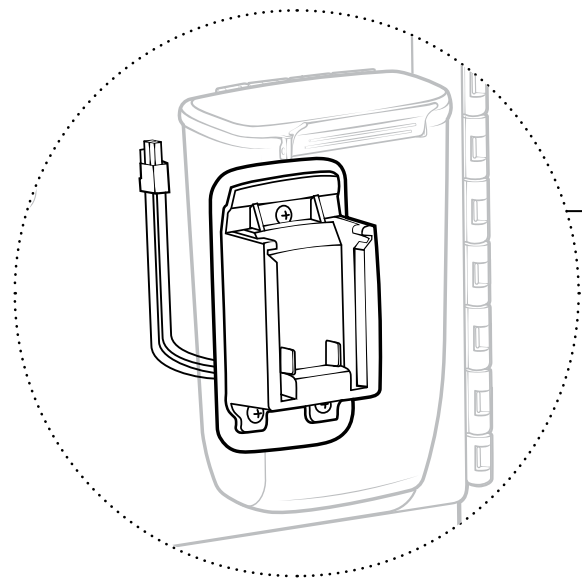


Battery and Charger*

*not included with backplate assembly

Item number	Description
7	BLI-24V-4AH Battery - lithium ion - 24V 4AH - includes manual
8	BLI-24V-CHRGR Battery - lithium ion - 24V - charger - includes NA power cord and manual

Note: Refer to battery and charger user manuals for more information.



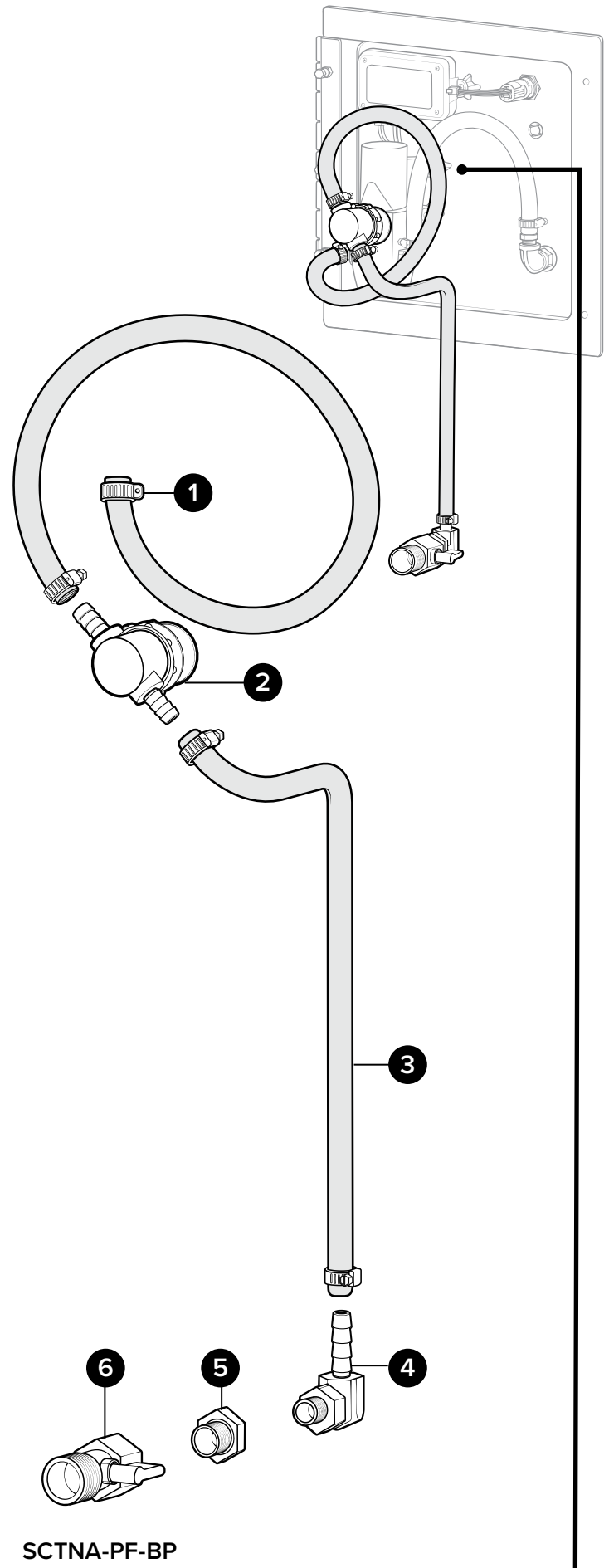
*not included with backplate assembly

Back Plate Sub-assemblies

SCTNA-PF-BP:

Suction assembly for battery equipped units - includes suction valve, hose, and in-line strainer

Item number	Description
1 SSC38	Screw band clamp - stainless steel - for 3/8 in. hose
2 STR38-IL-80	In line strainer - 2x 3/8 hose barb - EPDM gasket - #80 mesh stainless steel screen - gray bowl
3 H38BK-HT	3/8 in. black hose - high temp EPDM rubber - available per ft.
4 HBSEL1438	Hose barb - stainless steel - elbow - 1/4 in. MPT x 3/8 in. barb
5 HHPB3414	Hex head poly bushing - 3/4 MPT x 1/4 FPT
6 BVPVC34MF	Ball valve - PVC - 3/4 NPT to 3/4 FNPT Buna seal



SCTNA-PF-BP

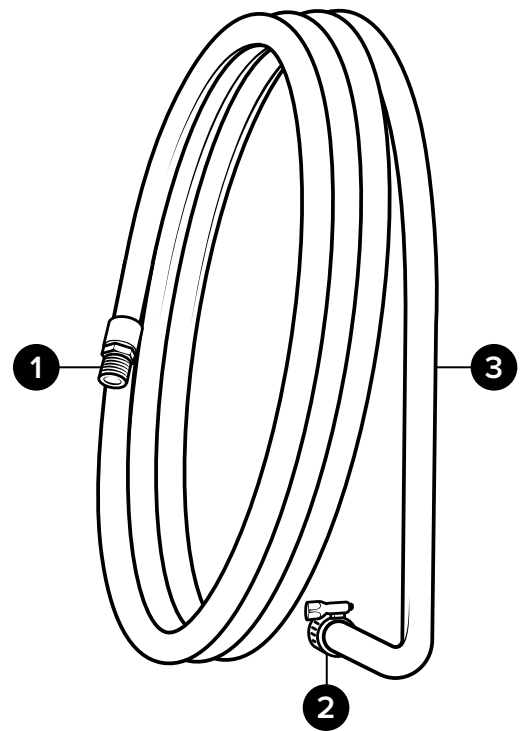
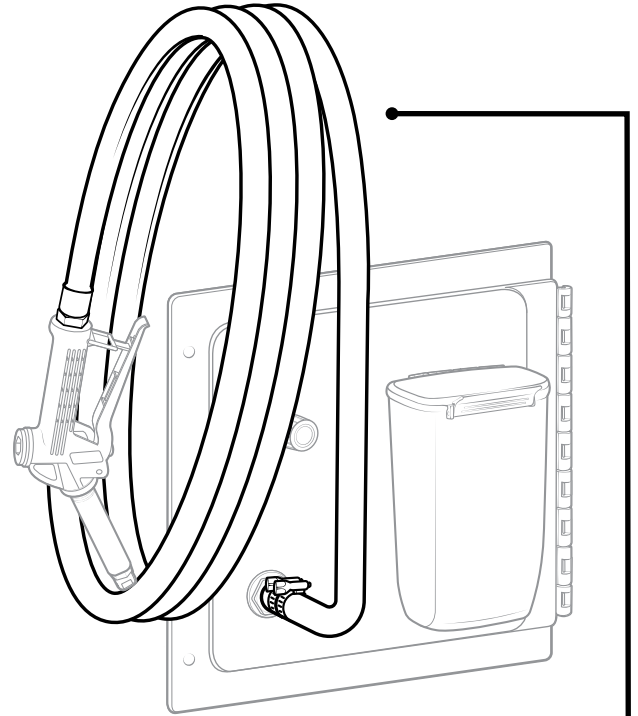
Hose Assembly

HA38BL-12:

Hose assembly - 12 ft. of $\frac{3}{8}$ in. blue* hose - includes ferruled hose barb

Item number	Description
1 HBSS1238	Hose barb - stainless steel - $\frac{1}{2}$ in. MPT x $\frac{3}{8}$ in. barb
2 SSC38	Screw band clamp - stainless steel - for $\frac{3}{8}$ in. hose
3 H38BL-F	$\frac{3}{8}$ in. id blue* hose - hybrid TPE - available per ft.

* Additional colors available, see datasheet for options.



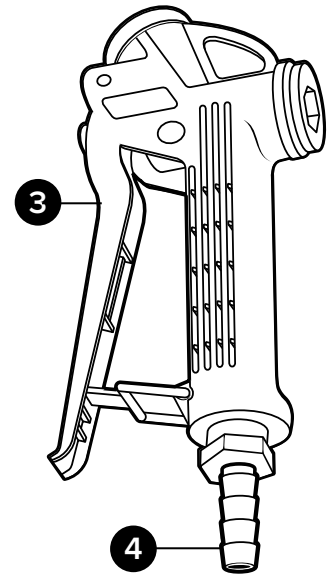
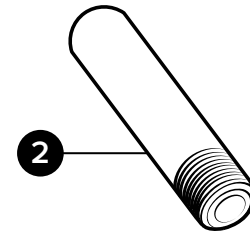
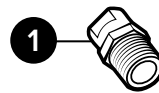
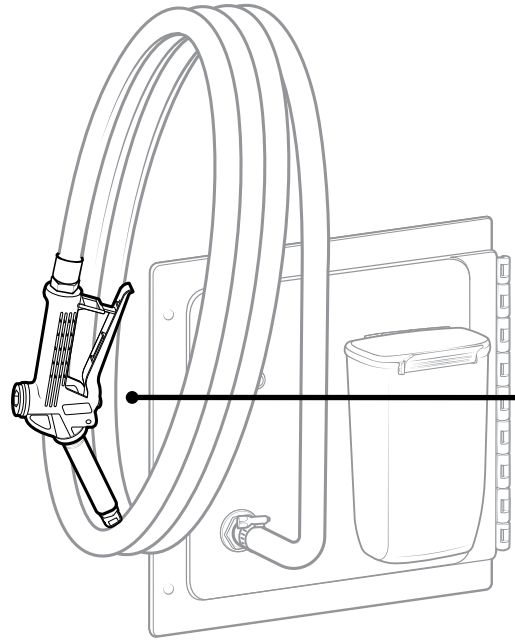
HA38BL-12

Wand Assembly

PSGA384-ST2510:

Poly spray gun assembly for 3/8 in. hose - includes 4 in. black poly wand, ST2510SS spray tip, hose barb, and screw band clamp

Item number	Description
1 ST2510SS	Spray tip - 25 degree fan - 1.0 GPM - stainless - 1/4 MPT
2 PW12M14F4	1/2 in. NPT and 1/4 in. FNPT wand - black UHMW - 4 in. long
3 PSG12	Poly spray gun with 2x 1/2 in. straight thread - gray handle with red clip - 316SS internal spring - includes 2x o-ring
4 HBSS1238	Hose barb - stainless steel - 1/2 in. MPT x 3/8 in. barb
5 SSC38	Screw band clamp - stainless steel - for 3/8 in. hose



4

5

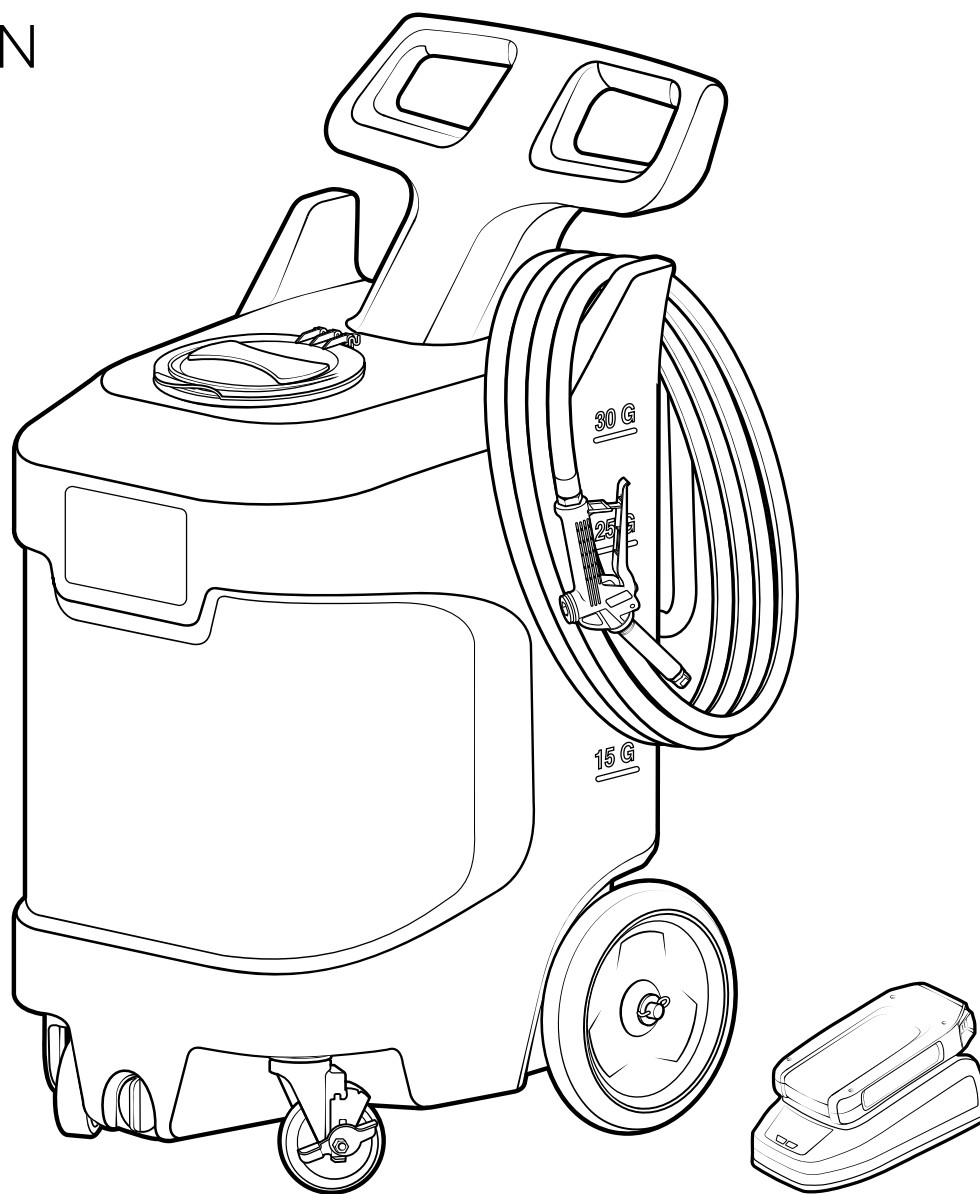


PSGA384-ST2510

Appareil de pulvérisation de 113,56 litres (30 gallons) alimenté par batterie

Manuel d'entretien

SP-BP-30N



LIRE TOUTES LES INSTRUCTIONS AVANT D'UTILISER
OU D'ENTREtenir CET APPAREIL. CONSERVER
CE MANUEL DANS UN ENDROIT FACILEMENT
ACCESSIBLE AUX UTILISATEURS ET AUX
TECHNICIENS DE MAINTENANCE.

Français (Instructions traduites)



Scanner ce code pour
le manuel d'entretien



Sécurité

AVERTISSEMENT

DES PERSONNES PEUVENT ÊTRE BLESSÉES OU DES OBJETS PEUVENT ÊTRE ENDOMMAGÉS SI CET APPAREIL N'EST PAS UTILISÉ CORRECTEMENT !



Si vous ne lisez pas toutes les instructions avant d'utiliser l'appareil, vous risquez de vous blesser ou de mourir en raison d'une mauvaise utilisation ou de la solution chimique. Toute personne qui manipule, fait fonctionner ou utilise l'appareil doit lire et comprendre les instructions contenues dans le manuel. L'acheteur assume l'entière responsabilité de la sécurité et de l'utilisation correcte de l'appareil conformément aux instructions.

L'appareil ne doit pas être utilisé par des personnes (y compris des enfants) dont les capacités physiques, sensorielles ou mentales sont réduites, ou qui manquent d'expérience et de connaissances, à moins qu'elles ne soient supervisées ou qu'elles aient reçu des instructions sur l'utilisation sûre de l'appareil et qu'elles comprennent les risques encourus. Les enfants de moins de 8 ans doivent être surveillés pour s'assurer qu'ils ne jouent pas avec l'appareil ou ne le manipulent pas.



L'utilisation ou l'entretien de l'appareil sans l'équipement de protection individuelle (EPI) approprié peut entraîner des blessures graves telles que des brûlures, des éruptions cutanées, des lésions des yeux, de la gorge ou des poumons, voire la mort. Toujours porter l'EPI indiqué dans la fiche de données de sécurité (FDS) lors de l'utilisation ou de l'entretien de l'appareil. Protéger les yeux, la peau et les poumons contre les pulvérisations dérivantes.



Les solutions chimiques peuvent présenter un risque pour la santé et entraîner la mort en cas de contact avec la peau ou les yeux, d'inhalation ou d'ingestion. Avant d'utiliser l'appareil, toujours lire et respecter toutes les précautions de sécurité et les instructions de manipulation fournies par le fabricant du produit chimique, ainsi que la FDS associée à la solution chimique.



La pression à l'intérieur de l'équipement peut provoquer une libération inattendue de la solution chimique et causer des blessures graves telles que des brûlures, des éruptions cutanées, des lésions oculaires, des lésions de la gorge ou des poumons, voire la mort. Toujours dépressuriser et nettoyer l'appareil après chaque utilisation. Ne jamais laisser l'appareil sans surveillance lorsqu'il est sous pression.

L'utilisation de l'appareil avec des liquides dont la température est supérieure à 37,8 °C (100 °F) peut entraîner des brûlures, des blessures graves ou la mort. NE PAS utiliser une solution dont la température est supérieure à 37,8 °C (100 °F).

Certains composants peuvent être chauds pendant et après l'utilisation. User de prudence lors de l'entretien ou de la manipulation de l'appareil.



L'utilisation de l'appareil lorsqu'il est endommagé ou présente des fuites peut entraîner une exposition à des solutions chimiques, des blessures graves ou la mort. Ne jamais utiliser l'appareil s'il est endommagé ou s'il fuit.

L'utilisation d'hydrocarbures et de produits inflammables peut entraîner des explosions, des incendies et des blessures graves, voire mortelles. Ne jamais utiliser d'hydrocarbures ou de produits inflammables avec l'appareil.



Le mélange d'un produit alcalin et d'un produit acide peut entraîner une réaction chimique. La surchauffe du mélange peut provoquer des projections de composés caustiques ou libérer des fumées, des gaz et des vapeurs dangereux. Toujours rincer abondamment l'appareil à l'eau douce lors du passage d'un produit alcalin à un produit acide ou d'un produit acide à un produit alcalin.

Ne jamais diriger la lance d'éjection vers soi-même, vers une autre personne ou vers un objet que ne doit pas être recouvert de produit chimique.



Garder le couvercle du boîtier de la batterie fermé et verrouillé à tout moment, sauf pour accéder à la batterie. Ne pas utiliser l'appareil si le couvercle est ouvert ou endommagé. Ne pas exposer l'appareil à des liquides, des solutions de nettoyage, de la mousse ou de la pluie. La batterie n'est pas étanche. Ne pas l'immerger dans un liquide. Si la batterie est mouillée, la laisser sécher avant de l'utiliser.

L'utilisation de l'appareil avec des dispositifs non approuvés peut entraîner un risque d'incendie, d'électrocution ou de blessure. À n'utiliser qu'avec des équipements compatibles avec la Série Equip 24V.

Conserver l'appareil et la batterie en intérieur, dans un endroit frais et sec, à une température comprise entre 0 et 25 °C (32 à 77 °F) et une humidité relative inférieure à 75 %. Ne pas entreposer à une température inférieure à 0 °C (32 °F) ou supérieure à 45 °C (113 °F). Pour éviter une défaillance prématurée de la batterie, ne pas la conserver déchargée pendant de longues périodes.

Sécurité

AVERTISSEMENT

Instructions relatives aux premiers secours

- Le non-respect des instructions de premiers secours peut entraîner la mort ou des blessures graves.
- Si le liquide de la batterie entre en contact avec la peau, laver immédiatement avec de l'eau et du savon, puis neutraliser le produit avec du jus de citron ou du vinaigre.
- En cas de contact du liquide de la batterie avec les yeux, rincer à l'eau claire pendant au moins 10 minutes, puis consulter immédiatement un médecin.
- En cas d'ingestion du liquide de la batterie, consulter immédiatement un médecin.

Avertissement sur la Proposition 65 de l'État de Californie

- La batterie peut vous exposer à des produits chimiques, notamment le cobalt, le lithium, le manganèse, le nickel, l'oxyde et le noir de carbone, qui sont reconnus par l'État de Californie comme étant cancérigènes et nocifs pour la reproduction. Pour plus d'informations, consulter www.P65Warnings.ca.gov.

REMARQUE

L'appareil n'est pas conçu pour les zones de haute altitude (2000 mètres et plus).

L'entretien ou la modification de cet appareil avec des pièces qui ne figurent pas dans ce manuel peut entraîner un mauvais fonctionnement de l'appareil. Ne pas utiliser de pièces non autorisées lors de l'entretien de l'appareil.

En présence d'énergies RF rayonnées, le bouton indicateur de charge peut perdre sa fonctionnalité. Se référer aux manuels fournis respectivement avec la batterie et le chargeur pour des précautions et des instructions de sécurité supplémentaires.

PROTECTION DE L'ENVIRONNEMENT



Veuillez vous débarrasser des matériaux d'emballage, des anciens composants de la machine et des fluides dangereux en respectant l'environnement et les réglementations locales en matière d'élimination des déchets.



Numéro de modèle : SP-BP-30N

Fabriqué par : FOAMit

3833 Soundtech Ct. SE Grand Rapids, MI 49512, États-Unis d'Amérique

This ecet appareil a été testé et déclaré conforme aux limites d'interférences relatives aux appareils numériques de **Classe A** de la section 15 du règlement de la FCC. Ces limites ont pour but de fournir une protection raisonnable contre les interférences nuisibles lorsque l'appareil fonctionne dans environnement commercial. Cet appareil génère, utilise et peut diffuser de l'énergie sur les fréquences radio et, s'il n'est pas installé et utilisé conformément au mode d'emploi, il peut brouiller les communications radio. L'utilisation de cet équipement dans une zone résidentielle est susceptible de provoquer des interférences nuisibles, auquel cas l'utilisateur devra corriger les interférences à ses propres frais.

Guide d'entretien

AVERTISSEMENT

Toute opération d'entretien lorsque l'appareil est sous pression peut entraîner des blessures graves, voire mortelles. Toujours vérifier que l'appareil a été dépressurisé et que la batterie a été retirée avant d'effectuer toute opération d'entretien. Le nettoyage et l'entretien par l'utilisateur ne doivent pas être effectués par des enfants sans surveillance. L'entretien ou la modification de l'appareil avec des pièces qui ne figurent pas dans ce manuel peut entraîner un mauvais fonctionnement de l'appareil. Ne pas utiliser de pièces non autorisées lors de l'entretien de l'appareil.

Entretien de l'appareil

Pour assurer le bon fonctionnement de l'appareil, effectuer régulièrement les opérations d'entretien suivantes :

- Inspecter la pompe pour vérifier qu'elle n'est pas usée et qu'elle ne présente pas de fuites.
- Inspecter tous les tuyaux souples pour vérifier qu'ils ne présentent pas de fuites ou d'usure excessive. Vérifier que tous les colliers de serrage sont en bon état et correctement fixés.
- Vérifier l'absence de débris dans la conduite d'aspiration et la crépine. Nettoyer si nécessaire.
- Conserver la batterie à moitié chargée et la recharger tous les 3 à 6 mois.

Entretien de l'appareil

La plupart des réparations peuvent être effectuées avec les outils suivants :

- Clé à molette (2x)
- ¼ po. (7 mm) mèche hexagonale
- Tournevis à tête plate
- Ruban d'étanchéité pour filetage
- Tournevis cruciforme No 2
- Tournevis cruciforme No 3
- Coupe-tuyaux
- Couteau

Dépannage de l'appareil

Si l'appareil ne fonctionne pas correctement, essayer de suivre les conseils de dépannage suivants :

Problème	Solution
Le cycle de la pompe est incorrect	<ul style="list-style-type: none">• Vérifier que la pompe n'est pas tombée en panne à cause d'une attaque chimique ou d'un dysfonctionnement électrique.• S'assurer que le produit chimique et la concentration utilisés sont corrects.• Vérifier que le produit arrive bien à la pompe en procédant comme suit :<ol style="list-style-type: none">1. Vérifier que le réservoir contient de la solution chimique.2. S'assurer que la vanne de conduite d'aspiration est complètement ouvert.3. Inspecter la conduite d'aspiration et la crépine pour vérifier l'absence de débris ou de dommages.• Si ces étapes sont vérifiées, il se peut que la pompe doive être remplacée.
L'appareil fonctionne à pression réduite	<ul style="list-style-type: none">• Inspecter la conduite d'aspiration et la crépine pour vérifier l'absence de débris ou de dommages. Nettoyer ou remplacer si nécessaire. Pour éviter d'endommager l'appareil, la crépine doit toujours être utilisée.• Inspecter le dispositif de tuyau d'évacuation pour vérifier qu'il n'y a pas d'accumulation de dépôts.
La batterie ne se charge pas complètement	<ul style="list-style-type: none">• Placer une batterie secondaire sur le chargeur. Si la batterie secondaire se charge comme prévu, cela indique que la batterie initiale est défectueuse et doit être remplacée.• Si le problème persiste, c'est le chargeur qui est défectueux. Remplacer le chargeur de batterie.
La batterie se décharge trop rapidement	<ul style="list-style-type: none">• La batterie a atteint la fin de sa durée de vie. Remplacer la batterie.
Voyant de l'interrupteur électrique clignotant lentement	<ul style="list-style-type: none">• Batterie déchargée, charger la batterie.
Voyant de l'interrupteur électrique clignotant rapidement	<ul style="list-style-type: none">• Échec au démarrage du compresseur. Réinitialiser en coupant l'alimentation électrique puis en la rétablissant.• Il pourrait être nécessaire de remplacer une pompe ou un compresseur défectueux.
Le voyant de l'interrupteur électrique clignote deux fois	<ul style="list-style-type: none">• La pompe ou le compresseur est en surchauffe. Laisser refroidir l'appareil avant de l'utiliser.
Le voyant de défaut de la batterie/du chargeur clignote	<ul style="list-style-type: none">• Consulter les manuels distincts fournis avec la batterie et le chargeur pour plus d'informations sur les indicateurs et les voyants d'erreur.

Dispositif de réservoir

Vue de face

TNKA-30N-BK :

Ensemble de réservoir naturel de 113,56 litres (30 gallons) - couvercle noir* - comprend le bouchon de vidange, les roues, la vanne d'aspiration et les écrous à serrage manuel de la plaque arrière

LDA-7BK :

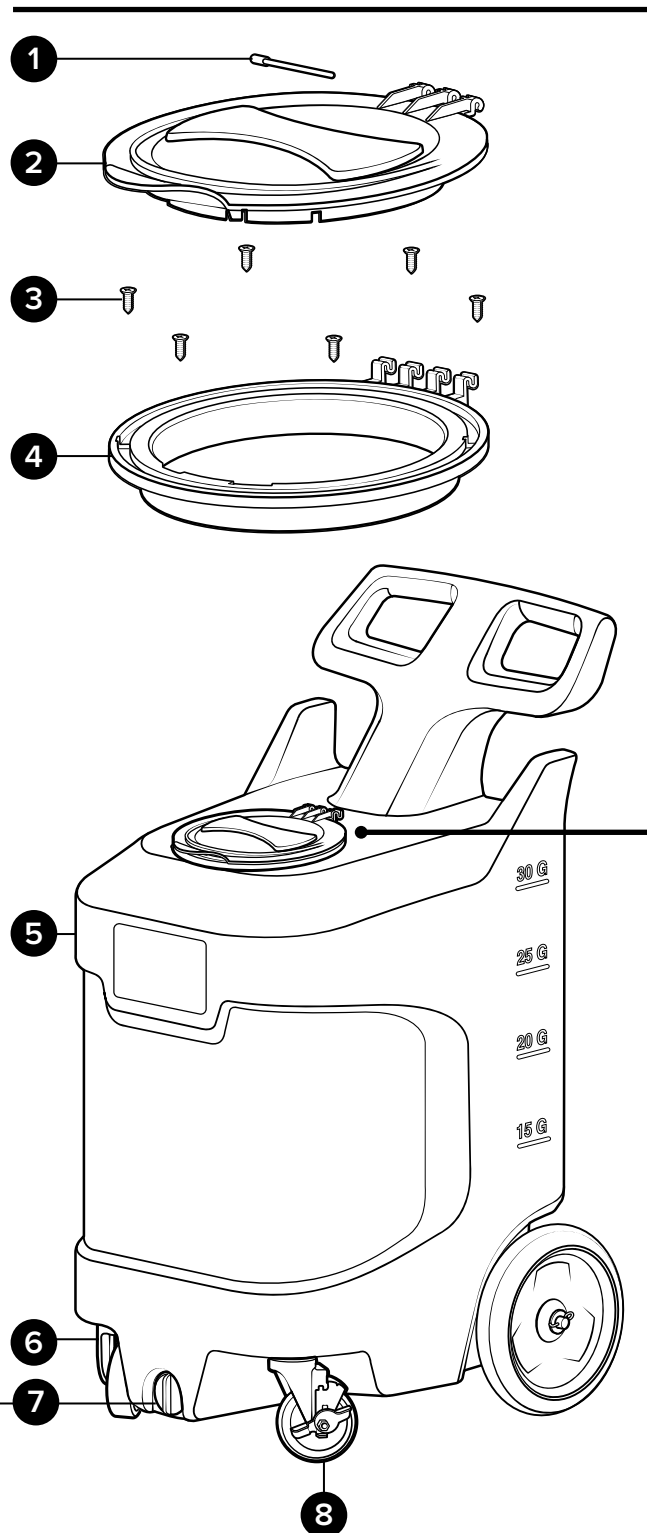
Dispositif de couvercle - comprend un couvercle noir* de 17,78 cm (7 pouces), une bride de couvercle, un axe de charnière et des vis de fixation

Numéro de la pièce	Description
1 LD-PIN	Axe de charnière pour couvercle de 17,78 cm (7 pouces) et bride
2 LD-7BK-LID	Couvercle - 17,78 cm (7 po.) - polypropylène - noir*
3 S812-FH	Vis - #8 x 1/2 po. - acier inoxydable - tête plate Phillips
4 LD-7BK-FLNG	Bride du couvercle - 17,78 cm (7 pouces) - polypropylène - noir*

* D'autres couleurs sont disponibles, voir la fiche technique pour les options.

Numéro de la pièce	Description
5 TNK-30N	Réservoir - 113,56 litres (30 gallons) naturel - portable
6 CST5SS	Roulette pivotante - inoxydable - dégagement de 12,7 cm (5 po.) - roue de 10,16 cm (4 po.)
7 DPA	Dispositif de bouchon de vidange pour appareils portables - avec joint
8 CST5SS-L	Roulette pivotante - inoxydable - dégagement de 12,7 cm (5 po.) - roue de 10,16 cm (4 po.) avec verrouillage

LDA-7BK



Dispositif de réservoir

Vue arrière

TNKA-30N-BK :

Ensemble de réservoir naturel de 113,56 litres (30 gallons) - couvercle noir* - comprend le bouchon de vidange, les roues, la vanne d'aspiration et les écrous à serrage manuel de la plaque arrière

BPTNA :

Dispositif d'écrou à serrage manuel de la plaque arrière - comprend le boulon, l'écrou à serrage manuel et l'attache

Numéro de la pièce	Description
1	BST1420118-VS Boulon - ensemble - ¼-20 x 1 ⅞ po. - acier inoxydable - Vibra-Seal
2	TN1420 Écrou à serrage manuel - ¼-20 x 1 ¼ po. - PP - insert en laiton - assemblé avec attache

VLVA-BVPVC34 :

Dispositif de vanne d'aspiration - comprend une vanne d'aspiration de ¾ po. Vanne en PVC, douille, coude à raccord cannelé de ¾ po. et collier de serrage à vis

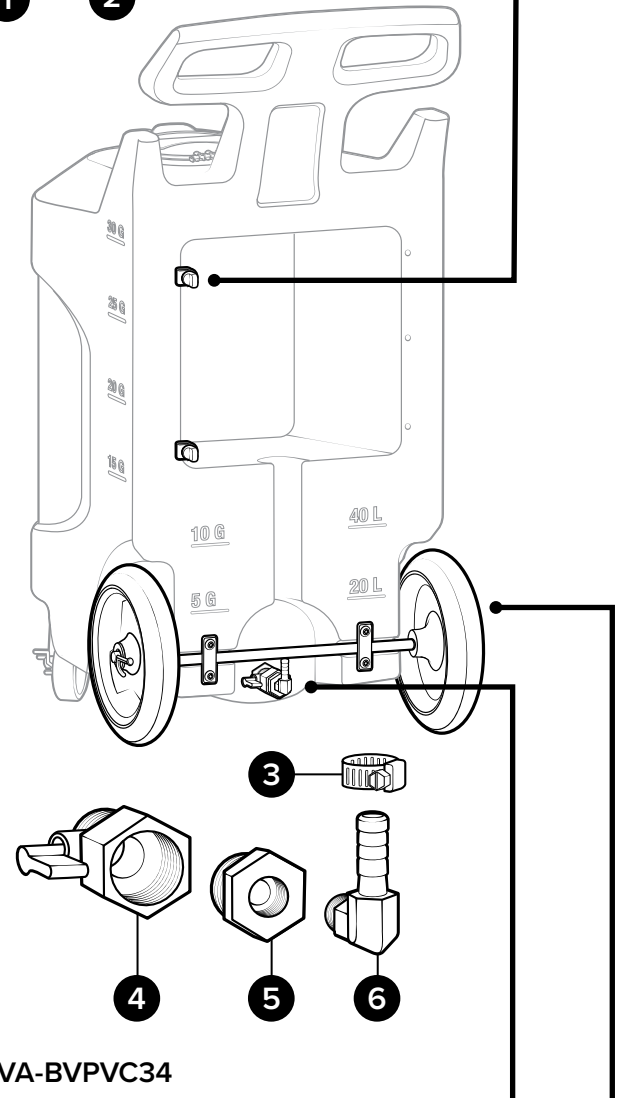
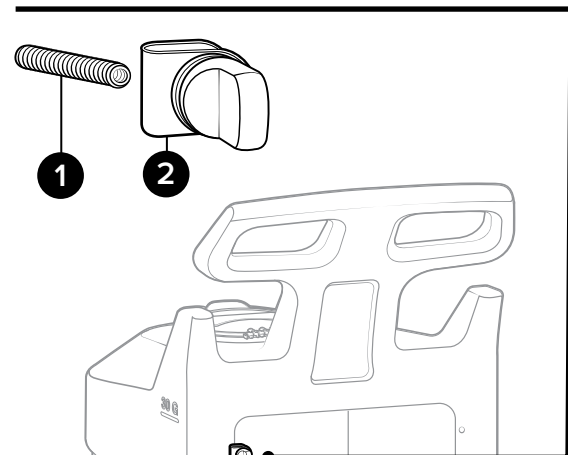
Numéro de la pièce	Description
3	SSC38 Collier de serrage à vis - acier inoxydable - pour tuyau de ¾ po.
4	BVPVC34MF Robinet à boisseau sphérique - PVC - ¾ NPT à ¾ FNPT - Joint Buna
5	HHPB3414 Douille poly à tête hexagonale ¾ MPT x ¼ FPT
6	HBSSEL1438 Raccord cannelé - acier inoxydable - coudé - ¼ po. MPT x ¾ po. cannelure

WHLA-AXL1812 :

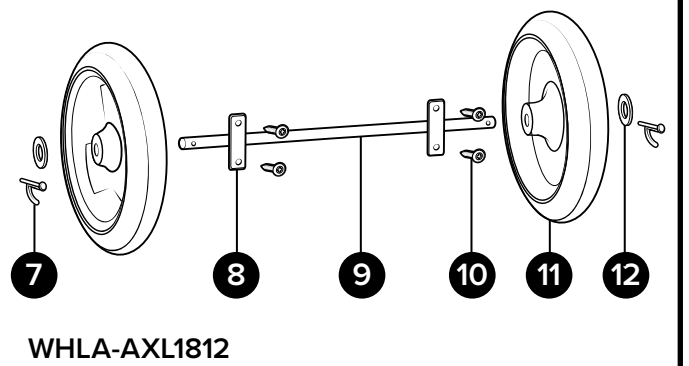
Dispositif de roue de 25,4 cm (10 pouces) - comprend un essieu de 38,1 cm (18,5 pouces) de long, une plaque d'essieu, des boulons, des rondelles et des goupilles fendues

Numéro de la pièce	Description
7	COT Goupille fendue - acier inoxydable - ⅛ po. dia x 1 po. long
8	PLSS-AXL Plaque d'essieu - acier inoxydable - 6,35 cm x 2,54 cm (2,5 po. x 1 po.) - 2 trous
9	AXL1812 Essieu - inoxydable - 0,625 dia. x 18,5 po.
10	B142012-VS Boulon - ¼-20 x ½ po. - acier inoxydable - tête bombée Phillips - Vibra-Seal
11	W10 Roue - 25,4 cm (10 po.) - non-marquante
12	FW58 Rondelle plate pour tuyau ou axe de ⅝ po. DE - acier inoxydable - 0,64 po. DI x 1,2 po. DE x 0,05 po. épais.

BPTNA



VLVA-BVPVC34



WHLA-AXL1812

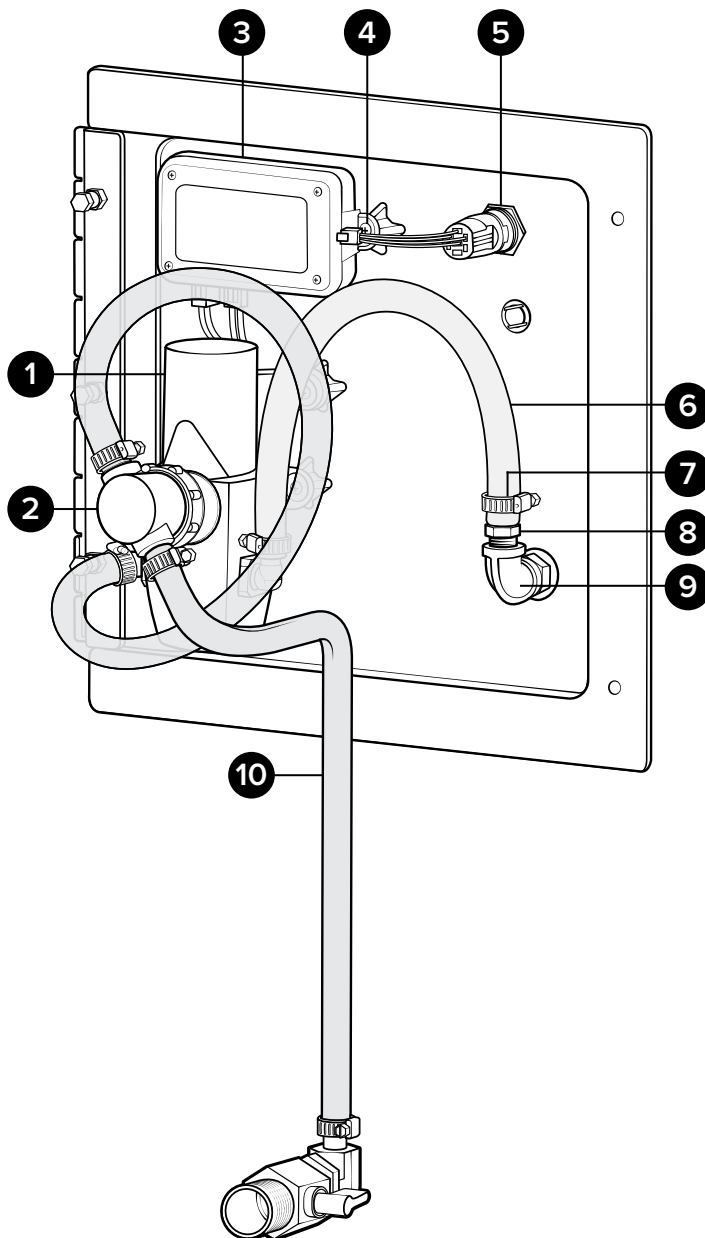
Dispositif de plaque arrière

Vue intérieure

PA-SP38-BP:

Assemblage de plaque pour unité de batterie de pulvérisation portable - batterie de 24 volts - barbe de tuyau de décharge de 3/8 po - la batterie et le chargeur sont vendus séparément.

Numéro de la pièce	Description
1 EP24VDC- 1-MLX	Pompe à liquide électrique - 24 VCC - 3,79 litres/mn (1 GPM) en écoulement libre - 40 PSI max - Joints Viton - Diaphragme Santo avec connecteur molex
2 STR38-IL-80	Crépine - en ligne - 2x 3/8 po. raccord cannelé de tuyau souple - joint EPDM - tamis inox maille #80 - bol gris
3 LVRC-24V	Contrôleur de relais basse tension - 24 Volts - pour les appareils SP-BP
4 S1034-HL	Vis - #10 x 3/4 po. - acier inoxydable - tête ronde Phillips - filetage hi-lo
5 PBSA-24V	Dispositif d'interrupteur à bouton-poussoir, comprend un interrupteur de verrouillage à DEL de 24V et un faisceau de câbles
6 H38BL-F	Tuyau souple bleu de 3/8 po. - TPE hybride disponible par pied de long
7 SSC38	Collier de serrage à vis - acier inoxydable - pour tuyau de 3/8 po.
8 HBSS1438	Raccord cannelé - acier inoxydable - 1/4 po. MPT x 3/8 po. cannelure
9 SEL14F	Coude SS 1/4 in. FPT x 1/4 in. FPT
10 H38BK-HT	Tuyau noir 3/8 po. - caoutchouc EPDM haute température - disponible par pied de long.



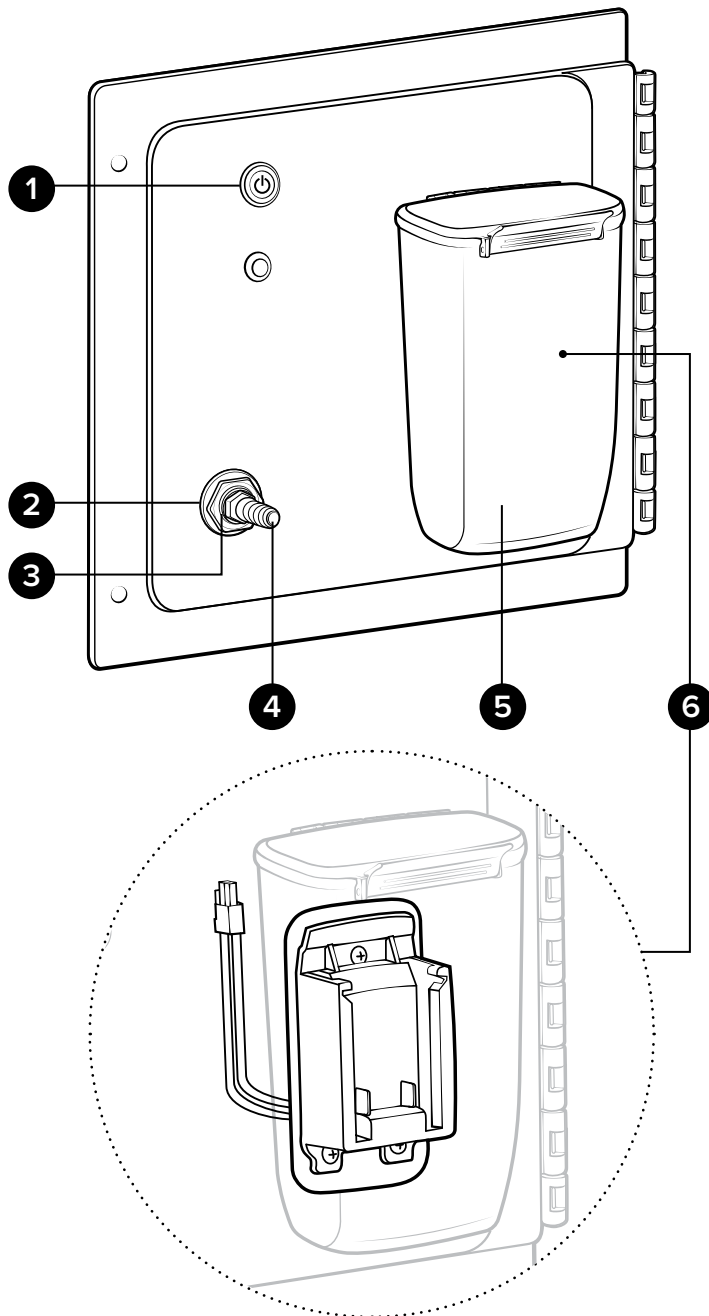
Dispositif de plaque arrière

Vue arrière

PA-SP38-BP:

Assemblage de plaque pour unité de batterie de pulvérisation portable - batterie de 24 volts - barbe de tuyau de décharge de 3/8 po - la batterie et le chargeur sont vendus séparément.

Numéro de la pièce	Description
1	PBSA-24V Dispositif d'interrupteur à bouton-poussoir, comprend un interrupteur de verrouillage à DEL de 24V et un faisceau de câbles
2	SSSFN12 Écrou à bride dentelé - inoxydable - 1/2 po.
3	SSA14BKH Adaptateur de cloison - acier inoxydable - 1/4 po. NPT x 1/4 po. NPSM
4	HBSS1438 Raccord cannelé - acier inoxydable - 1/4 po. MPT x 3/8 po. cannelure
5	BLI-24V-BB Boîtier de batterie - comprend le boîtier, le couvercle, le loquet, les goupilles et le joint d'étanchéité
6	BLI-24V-RCVR Plaque d'interface du récepteur de batterie pour le système BLI-24V

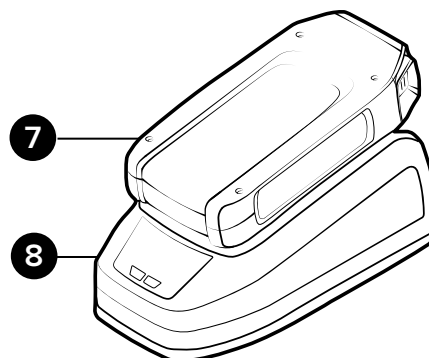


Batterie et chargeur*

*non inclus dans le dispositif de plaque arrière

Numéro de la pièce	Description
7	BLI-24V-4AH Batterie - lithium ion - 24V 4A/h - manuel inclus
8	BLI-24V-CHRGR Batterie - lithium ion - 24V - chargeur - avec cordon d'alimentation NA et manuel

Remarque : Se référer aux manuels d'utilisation de la batterie et du chargeur pour plus d'informations.



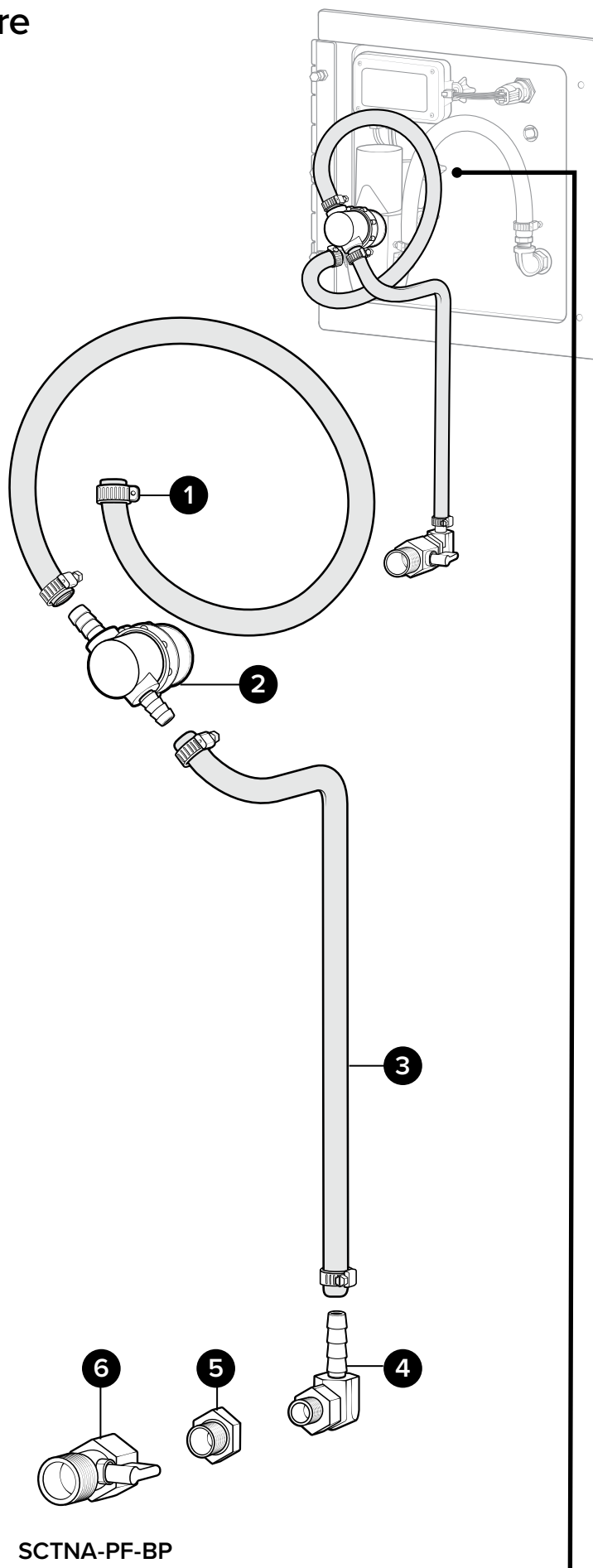
*not included with backplate assembly

Sous-ensembles de la plaque arrière

SCTNA-PF-BP:

Dispositif d'aspiration pour les appareils équipés d'une batterie - comprend une vanne d'aspiration, un tuyau et une crépine en ligne

Numéro de la pièce	Description
1 SSC38	Collier de serrage à vis - acier inoxydable - pour tuyau de 3/8 po.
2 STR38-IL-80	Crépine - en ligne - 2x 3/8 po. raccord cannelé de tuyau souple - joint EPDM - tamis inox maille #80 - bol gris
3 H38BK-HT	Tuyau noir 3/8 po. - caoutchouc EPDM haute température - disponible par pied de long.
4 HBSEL1438	Raccord cannelé - acier inoxydable - coudé - 1/4 po. MPT x 3/8 po. cannelure
5 HHPB3414	Douille poly à tête hexagonale 3/4 MPT x 1/4 FPT
6 BVPVC34MF	Robinet à boisseau sphérique - PVC - 3/4 NPT à 3/4 FNPT - Joint Buna



SCTNA-PF-BP

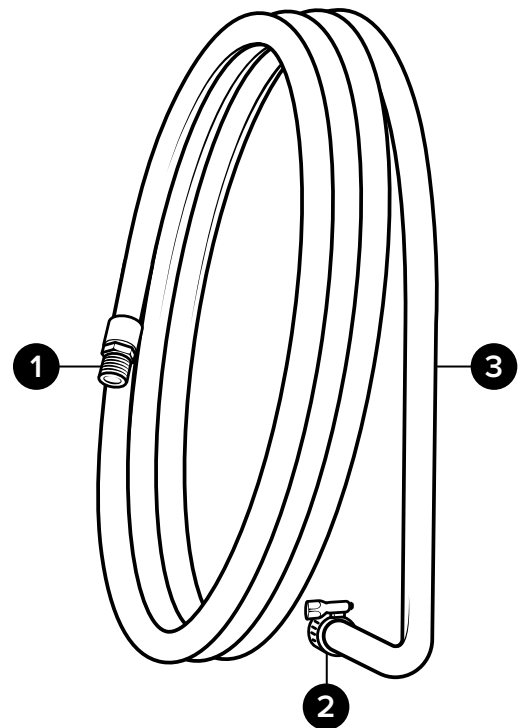
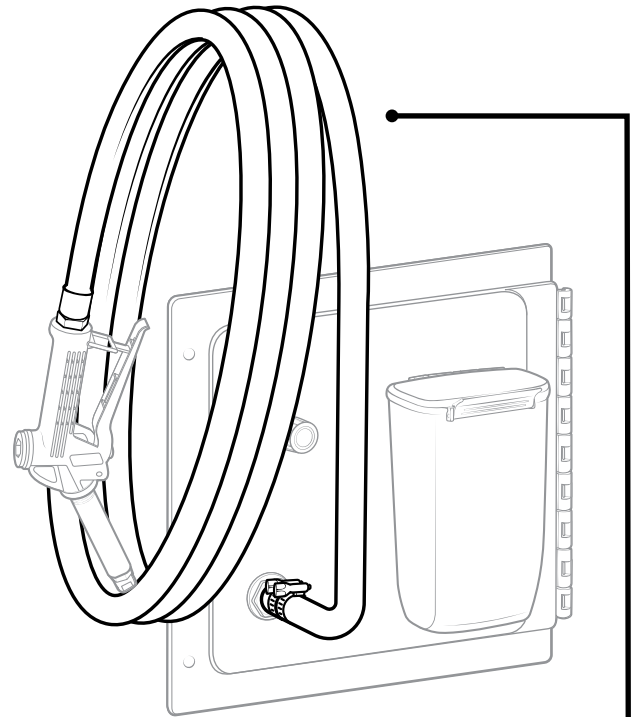
Dispositif de tuyau souple

HA38BL-12:

Dispositif de tuyau - 3,66 m (12 pieds) de tuyau bleu* de 3/8 po. - comprend un raccord cannelé pour tuyau

Numéro de la pièce		Description
1	HBSS1238	Raccord cannelé - acier inoxydable - 1/2 po. MPT x 3/8 po. cannelure
2	SSC38	Collier de serrage à vis - acier inoxydable - pour tuyau de 3/8 po.
3	H38BL-F	Tuyau souple bleu* de 3/8 po. - TPE hybride - disponible par pied de long

* D'autres couleurs sont disponibles, voir la fiche technique pour les options.



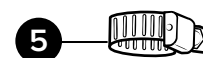
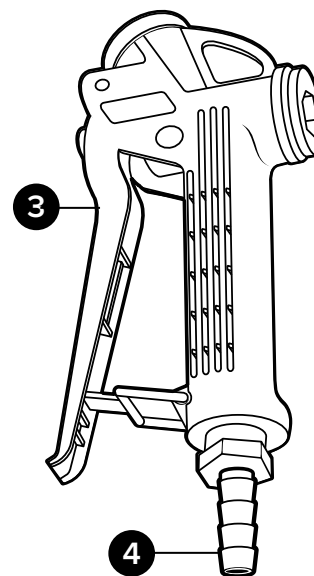
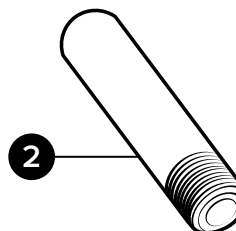
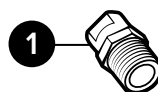
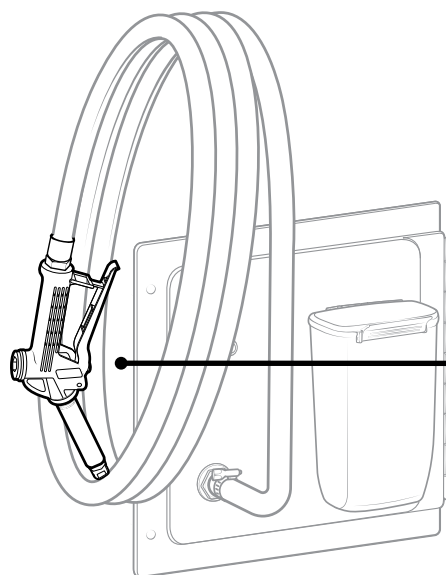
HA38BL-12

Options du dispositif de lance

PSGA384-ST2510:

Dispositif de pistolet de pulvérisation en poly pour tuyau de $\frac{3}{8}$ po. - comprend une lance en poly noir de 4 po., une buse de pulvérisation ST2510SS, un raccord cannelé et un collier de serrage à vis

Numéro de la pièce	Description
1 ST2510SS	Buse de pulvérisation - éventail sur 25 degrés - 3,79 litres/mn (1,0 GPM) - inoxydable - $\frac{1}{4}$ MPT
2 PW12M14F4	Lance $\frac{1}{2}$ po. NPT et $\frac{1}{4}$ po. FNPT - UHMW noir - 4 po. long
3 PSG12	Pistolet de pulvérisation en poly avec 2 filets droits de $\frac{1}{2}$ po. - poignée grise avec clip rouge - ressort interne en inox 316 - comprend 2 joints toriques
4 HBSS1238	Raccord cannelé - acier inoxydable - $\frac{1}{2}$ po. MPT x $\frac{3}{8}$ po. cannelure
5 SSC38	Collier de serrage à vis - acier inoxydable - pour tuyau de $\frac{3}{8}$ po.



PSGA384-ST2510