
USER MANUAL

MODEL NUMBER:

SP-WALL

SP-WALLK

SP-WALLV

SP-WALL-AP

AND RELATED UNITS

Pre-Mix Wall Mounted Spray Unit

English (Original Instructions)

READ ALL INSTRUCTIONS BEFORE OPERATING EQUIPMENT

WARNING




Read this manual completely and understand the machine before operating or servicing it.

- Read all instructions before installing or operating unit.
- Always wear appropriate personal protective equipment (PPE) when operating or servicing unit.
- Always follow all chemical safety precautions and handling instructions provided by the chemical manufacturer and Material Safety Data Sheet (MSDS).
- If this unit is modified or serviced with parts not listed in this manual, the unit may not operate correctly.
- Never point the discharge wand at yourself, another person, or any object you do not want covered in chemical.
- Always depressurize unit after use (as described in the After Use Instructions). Always store unit depressurized, with the discharge ball valve in the closed position.
- Do not exceed an incoming air pressure of 100 psi (6.9 bar).
- Do not exceed a fluid temperature of 100°F (37.8°C).
- Always flush unit when changing chemical products, as described in the After Use Instructions.
- Only use clean and dry air. Air must be filtered and free of moisture or pump life will be diminished. If needed, install an air dryer before unit.
- Do not use an air lubricator before the unit.
- Never use unit with hydrocarbons or flammable products.

PROTECT THE ENVIRONMENT

Please dispose of packaging materials, old machine components, and hazardous fluids in an environmentally safe way according to local waste disposal regulations.

 Always remember to recycle.

Specifications and parts are subject to change without notice.

This unit is available with several different configuration options. Use the following chart and example item numbers to identify specific configurations and item numbers.

ITEM NUMBER	All-Poly Fittings?		Pump Seal Material		
	No <i>(standard)</i>	Yes <i>(AP)</i>	Santoprene <i>(standard)</i>	Viton <i>(V)</i>	Kalrez <i>(K)</i>
EXAMPLES:	-	-	-	-	-
SP-WALL	x		x		
SP-WALLV-AP		x		x	
MY UNIT IS:	-	-	-	-	-

READ ALL INSTRUCTIONS BEFORE OPERATING EQUIPMENT

OPTIONS	
	Pump Seal Material
SP-WALL	Santoprene (standard)
	Viton (V)
	Kalrez (K)
Add bold option codes to item number as shown. For standard options, no option code is needed. Examples: <ul style="list-style-type: none"> • SP-WALL (standard unit with Santoprene pump seals) • SP-WALLV (unit with Viton pump seals) 	

REQUIREMENTS	
Compressed air requirements	40-80 psi (2.8-5.5 bar) with 2 cfm (56.6 l/min)
Liquid temperature range	40-100°F (4.4-37.8°C)
Chemical compatibility	Chemical products used with this equipment must be formulated for this type of application and compatible with unit materials and pump seals. For more information on chemical compatibility, consult the manufacturer or MSDS for your product or contact our customer service department.

SPECIFICATIONS	
Power type	Compressed air
Chemical pickup type	Draws from pre-mixed solution
Number of products unit can draw from	One product
Suction line length/diameter	8 ft. (2.4 m) hose with 3/8 in. (9.5 mm) inside diameter
Discharge hose diameter/length	50 ft. (15.2 m) hose, with 3/8 in. (9.5 mm) inside diameter
Discharge wand/tip type	Polypropylene trigger handle with 25° fan tip
Output distance	10-12 ft. (3.0-3.7 m)
Output volume	2 gal/min (7.6 l/min)
Flow rate*	2 gal/min (7.6 l/min)
Pump seals	Santoprene, Viton, or Kalrez

*Dilution rates and flow rates given are based on chemical with viscosity of water and factory air pressure settings.

READ ALL INSTRUCTIONS BEFORE OPERATING EQUIPMENT

Installation Instructions:

1. Remove all components from packaging.
2. Select desired area to mount the control box.
Note: We recommend mounting the control box at a height of 6 feet or less. The chemical suction line must reach the bottom of the chemical container. The bottom of the chemical container should not be positioned higher than the bottom of the control box.
3. Attach the control box mounting feet to the back of the control box, using the four screws provided in the parts package.
4. Mount the control box to the wall using four of the screws and plastic anchors provided in the parts package.
Note: To drill holes for the plastic anchors, use a $\frac{5}{16}$ inch drill bit.
5. Mount the hose hanger in a convenient location using the remaining two screws and anchors provided in the parts package.
6. Attach the discharge hose assembly to the discharge hose barb and secure it with the larger hose clamp provided in the parts package.
7. Connect the air inlet hose barb provided in the parts package to the air inlet valve located on the side of the control box. Then attach a $\frac{3}{8}$ inch I.D. air line from your air compressor to the air inlet hose barb, and secure it with the smaller hose clamp provided in the parts package.

Operation Instructions:

1. Follow all instructions from chemical manufacturer. Place the chemical suction line into a container of pre-mixed chemical solution.
2. With the discharge valve in the closed position, open the air inlet valve.
3. Point the discharge wand in a safe direction and open the discharge valve to begin spraying.
4. To stop spraying, close the discharge valve.

After Use Instructions:

We recommend flushing and depressurizing the unit after each use.

1. Place the chemical suction line into a container of water.
2. With the unit running, open the discharge valve, and allow the unit to be flushed with fresh water thoroughly until all chemical has been discharged from the system.
3. Shut off the air supply to the unit by closing the air inlet valve.
4. Open the discharge valve to relieve any pressure remaining in the unit.
5. Close the discharge valve after all pressure has been relieved from the unit. Store the unit with the discharge valve in the closed position.

Maintenance Instructions:

To keep the unit operating properly, periodically perform the following maintenance procedures:

Note: Before performing any maintenance, ensure that the unit has been disconnected from the air supply and depressurized according to the "After Use Instructions" above.

- Inspect the pump for wear and leaks.
- Inspect all hoses for leaks or excessive wear. Make sure all hose clamps are in good condition and properly secured.
- Replace the filter located within the air regulator as needed. Clean by unthreading the air regulator bowl from the air regulator.
- Check the chemical suction line and strainer for debris and clean as needed.
- Drain your air compressor tank on a regular basis to help extend pump life. An air source with a high moisture content will accelerate pump wear.

Note: If your air source has a high moisture content, you may wish to install a water separator before the unit.

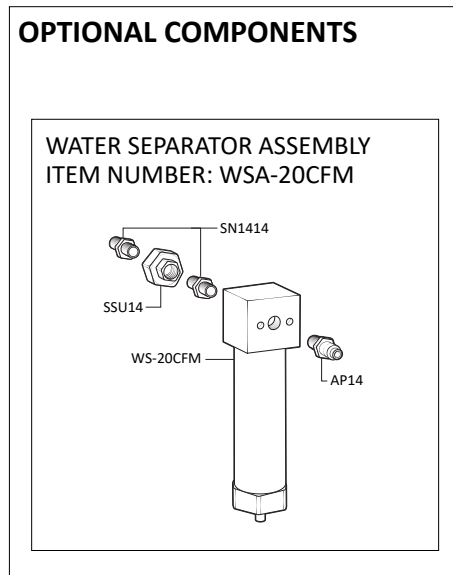
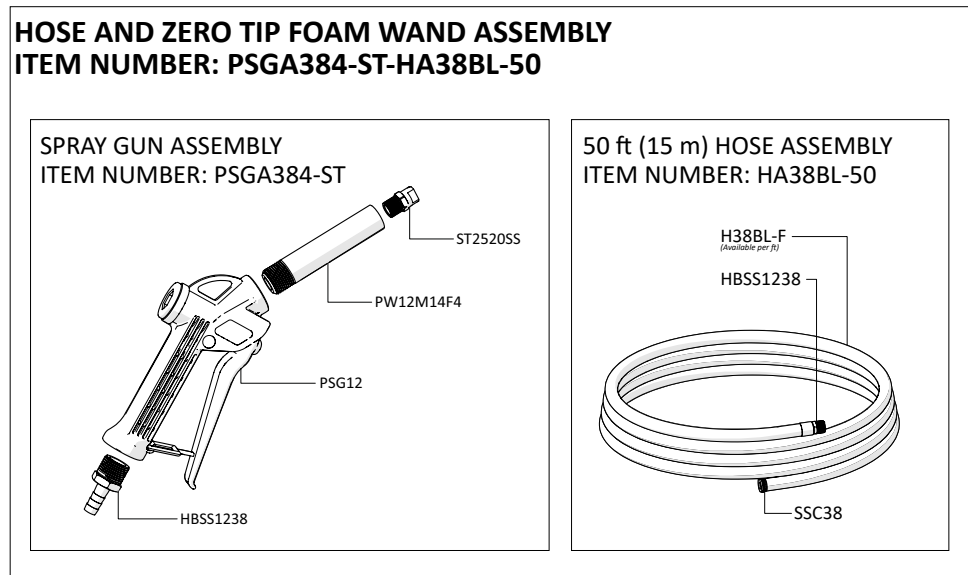
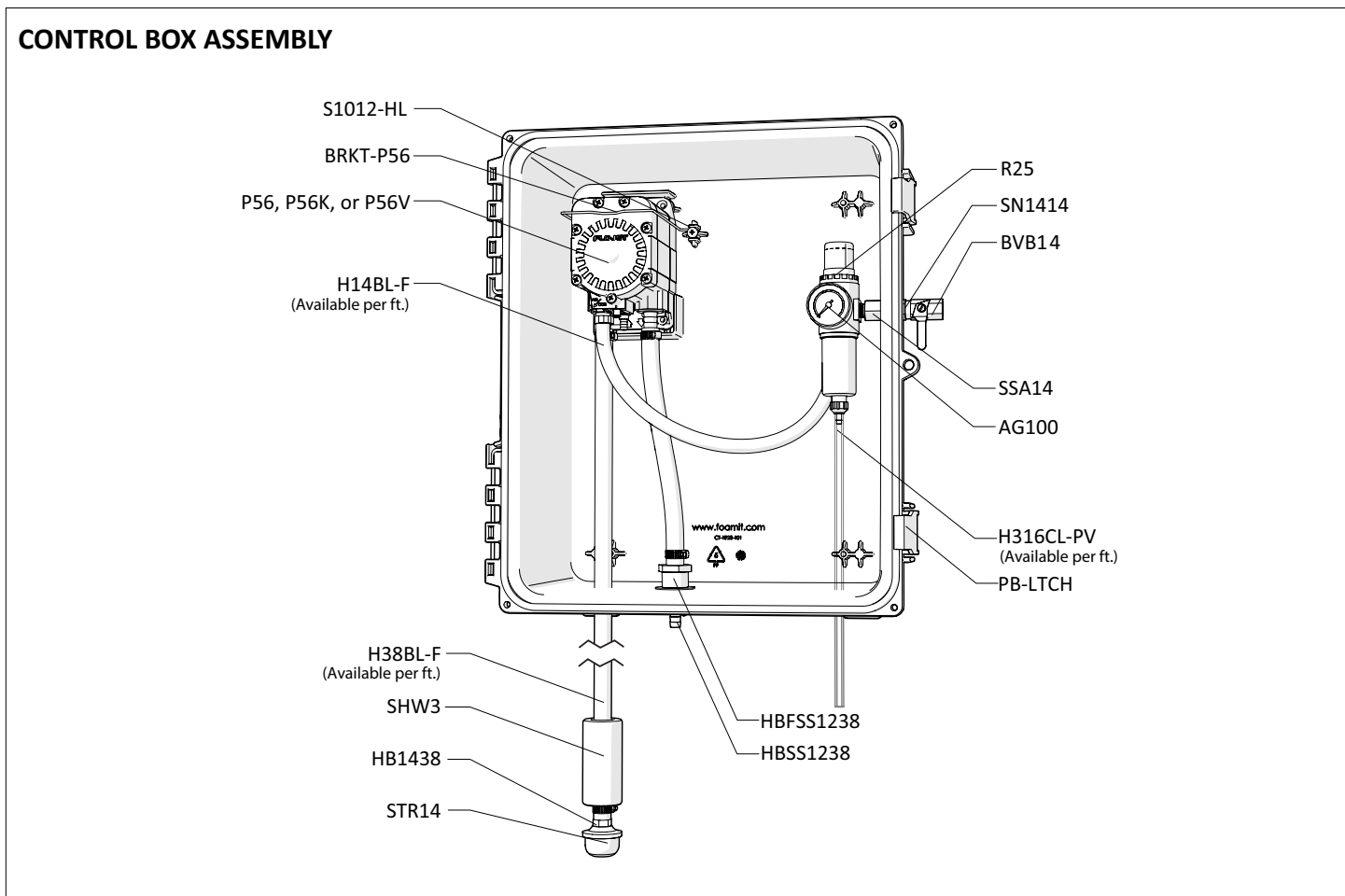
READ ALL INSTRUCTIONS BEFORE OPERATING EQUIPMENT

Troubleshooting Instructions:

- Check to ensure that the discharge hose is uncoiled properly, and that there are no kinks that could obstruct fluid flow.
- Check the air regulator bowl and air filter for debris such as water, oil, or rust particles. Clean by unthreading the air regulator bowl from the air regulator.
- If air passes through the pump without cycling, the pump needs to be replaced.
- Check for proper air pressure on the air gauge. The air regulator is factory set at 50 psi (3.4 bar). Operating range is 40 to 80 psi (2.8 to 5.5 bar) with 2 cfm (56.6 l/min).
- If the unit operates at a reduced pressure:
 - o Check the air compressor supplying the unit. If the pressure is less than 40 psi (2.8 bar), turn the unit off until the compressor can catch up.
 - o If the air supply is 50 psi (3.4 bar) or above, check the air gauge, which should read near 50 psi (3.4 bar). If the air gauge reads more or less than 50 psi (3.4 bar), adjust the pressure by turning the knob on the top of the air regulator.
- Check the chemical suction line and strainer for debris or damage. Clean or replace as needed. To prevent damage to the unit, the strainer must always be used.

READ ALL INSTRUCTIONS BEFORE OPERATING EQUIPMENT

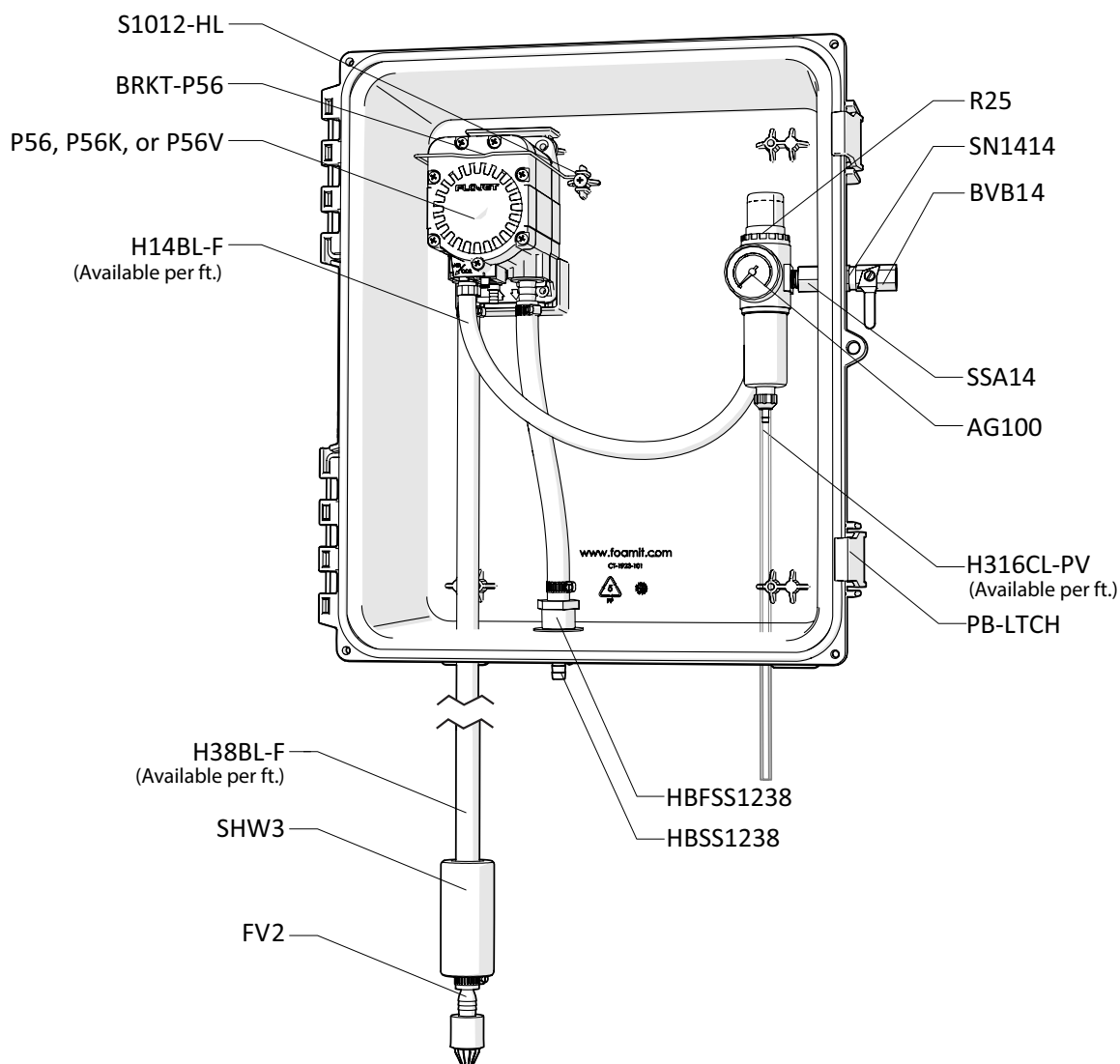
PARTS DIAGRAMS - UNITS WITH STANDARD FITTINGS



READ ALL INSTRUCTIONS BEFORE OPERATING EQUIPMENT

PARTS DIAGRAMS - UNITS WITH ALL-POLY FITTINGS

CONTROL BOX ASSEMBLY



READ ALL INSTRUCTIONS BEFORE OPERATING EQUIPMENT

ITEM NUMBER	DESCRIPTION
AG100	AIR GAUGE-1/8IN NPT-100 PSI DRY MODEL
BRKT-P56	PUMP BRACKET- STAINLESS STEEL
BVB14	AIR INLET VALVE-1/4IN FPT X 1/4IN FPT
EC14	OETIKER EAR CLAMP FOR 1/4IN HOSE
F38SS	FERRULE FOR 3/8IN HOSE - STAINLESS
FV2	FOOT VALVE, VITON, BLUE
FW14NPT	FLAT WASHER FOR 1/4IN NPT - STAINLESS - 0.57IN ID X 1.28IN OD X 0.08IN THK
FW12NPT	FLAT WASHER FOR 1/2IN NPT - STAINLESS - 0.88IN ID X 1.5IN OD X 0.05IN THK
FW12NPT-THK	FLAT WASHER FOR 1/2IN NPT - THICK - STAINLESS - 0.88IN ID X 1.5IN OD X 0.12IN THK
H14BL-F	1/4IN BLUE HOSE-HYBRID TPE-AVAILABLE PER FT
H316CL-PV	3/16IN ID 5/16IN OD CLEAR HOSE - PVC - AVAILABLE PER FT
H38BL-F	3/8IN BLUE HOSE-HYBRID TPE-AVAILABLE PER FT
HB1438	1/4in MPT X 3/8in HOSE BARB (PLASTIC)
HBFS1238	STAINLESS STEEL HOSE BARB 1/2 FPT X 3/8 BARB
HBSS1238	STAINLESS HOSE BARB 1/2 MPT X 3/8 BARB
HBSS1438	STAINLESS HOSE BARB 1/4 MPT X 3/8 BARB
HBSEL1814	STAINLESS HOSE BARB 1/8 MPT X 1/4 BARB ELBOW
P14-VS	COUNTERSUNK PLUG-HEXAGON 1/4 w/VIBRAL SEAL PATCH
P56	PUMP WITH SANTOPRENE SEALS - INCLUDES HOSE BARBS, AIR FITTING, AND EXHAUST BARB
P56K	PUMP WITH KALREZ SEALS - INCLUDES HOSE BARBS, AIR FITTING, AND EXHAUST BARB
P56V	PUMP WITH VITON SEALS - INCLUDES HOSE BARBS, AIR FITTING, AND EXHAUST BARB
<i>HBB14P</i>	1/4IN HOSE BARB-BRASS-FOR G57/P56 AIR FITTING WITH O-RING
<i>HB5638</i>	HOSE BARB FOR P56 PUMP
<i>HB5638K</i>	HOSE BARB FOR P56K PUMP
<i>HB5638V</i>	HOSE BARB FOR P56V PUMP

PB16138-A	16 x13 x 8 POLYPROPYLENE CONTROL BOX ASSEMBLY
PB16138	POLYPROPYLENE CONTROL BOX - WORKING DIMS 16x13x8 - PUMP MOUNT
PB-LTCH	POLY BOX LATCH FOR PB16138 AND PB12117
PB-PIN	STAINLESS STEEL HINGE PIN FOR PB16138 AND PB12117
PBFT-PP	MOUNTING FEET FOR POLYBOX - PB16138 - POLYPROPYLENE
PL16138	CONTROL BOX LID - POLYPROPYLENE - 16x13x8 - HINGED LOCKABLE LID
PSG12	POLY SPRAY GUN WITH 2X 1/2IN STRAIGHT THREAD - GRAY HANDLE WITH RED CLIP - 316SS INTERNAL SPRING - INCLUDES 2X O-RING
<i>PSGORV</i>	O-RING FOR PSG12-VITON
PW12M14F4	1/2IN NPT AND 1/4IN FNPT WAND - BLACK UHMW - 4IN LONG
R25	AIR REGULATOR - 1/4ft TWO PORT 1/8ft TWO PORT - INCLUDES FILTER AND BOWL
<i>AFR25</i>	AIR FILTER for R25
<i>ABR25</i>	METAL AIR BOWL for R25
S1012-HL	10-16 X 1/2 IN SCREW-STAINLESS-HI LO
S1034-FH-HL	#10 X 3/4IN SCREW - STAINLESS - FLAT HEAD PHILLIPS - HILO THREAD
SHW3	SUCTION HOSE WEIGHT - 15/16IN ID X 1 1/2IN OD X 3 1/4IN LONG - PVC COATED STAINLESS
SN1414	STAINLESS HEX NIPPLE 1/4 MPT X 1/4 MPT
SSA14	STAINLESS ADAPTOR 1/4 MPT X 1/4 FPT
SSC38	STAINLESS SCREW BAND CLAMP FOR 3/8 IN HOSE
SSU14	STAINLESS STEEL UNION- 1/4 INCH FP
ST2520SS	SPRAY TIP-25 DEGREE FAN-2.0 GPM-STAINLESS-1/4 MPT
STR14	40 MESH SUCTION LINE STRAINER 1/4 MNPT
WMA-HH	WALL MOUNT BRACKET ASSEMBLY - HOSE HANGER - INCLUDES MOUNTING HARDWARE
WMS14	14 X 1 1/4 HEX W/H SMS SLOTT, S/S
WMS14A	5/16 X 1 1/2 STRAIGHT PLASTIC ANCHOR
WS-20CFM	TSUNAMI WATER SEPARATOR/AIR DRYER 20 CFM