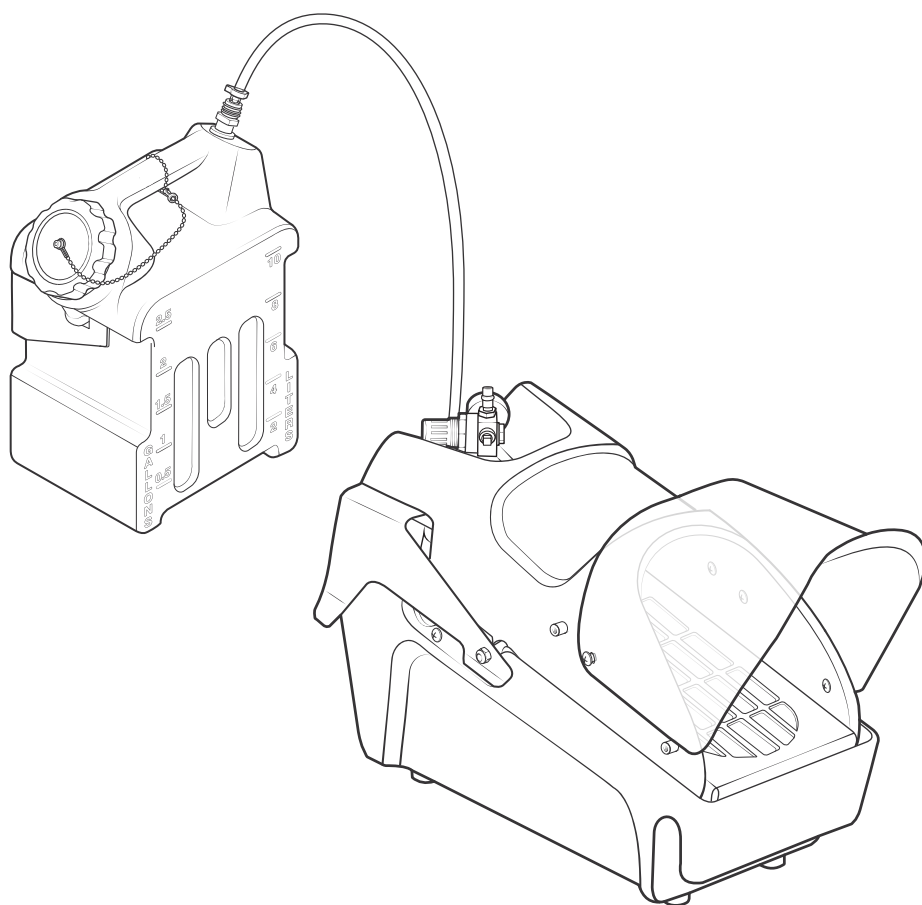
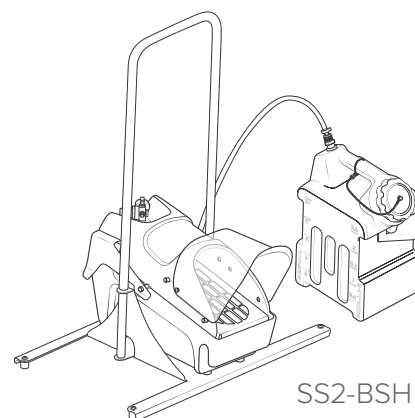


Air Powered Footwear Sanitizing Unit

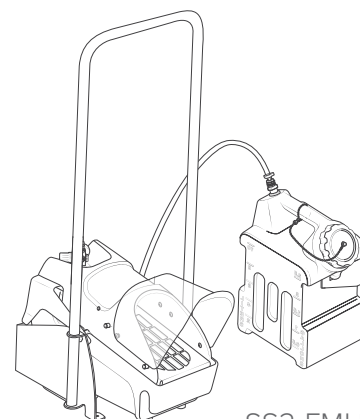
Operation Manual SS2



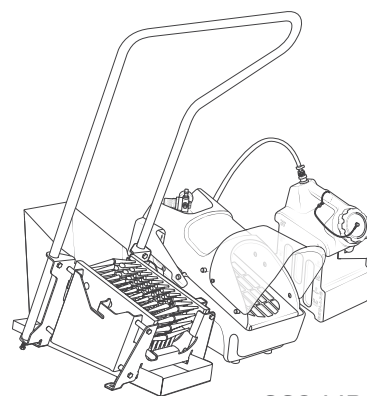
SS2



SS2-BSH



SS2-FMH



SS2-MBS

READ ALL INSTRUCTIONS BEFORE USING OR SERVICING THIS UNIT. KEEP THIS MANUAL IN A LOCATION THAT IS READILY AVAILABLE TO USERS AND SERVICE TECHNICIANS.

English (Original Instructions)



Scan this code for
operation manual



Safety

WARNING

PEOPLE OR OBJECTS CAN BE HURT OR DAMAGED IF THIS UNIT IS NOT USED CORRECTLY!



Failure to read all the instructions before operating the unit may result in personal injury or death from the improper use or the chemical solution. Anyone handling, operating or using the unit must read and understand the instructions in the manual. The buyer assumes all responsibility for safety and proper use in accordance with the instructions.



Using or servicing the unit without appropriate personal protective equipment (PPE) may result in serious injury such as burns, rashes, eye, throat or lung damage and death. Always wear PPE as indicated in the Safety Data Sheet (SDS) when using or servicing the unit. Protect eyes, skin, and lungs against drifting spray.



To prevent chemical spray to face and eyes, ensure full foot insertion into unit and press down with heel. Wear splash goggles as directed by chemical manufacturer, SDS, or OSHA. Do not remove or modify spray guard. This unit is for use with fully protective footwear only. This unit is designed to help sanitize footwear at transition zones with a focus on reduced moisture. This unit is intended to sanitize shoe soles and not intended for any other use.



Chemical solutions may pose a health risk and death if they contact the skin or eyes, are inhaled or swallowed. Always read and follow all chemical safety precautions and handling instructions provided by the chemical manufacturer and the SDS associated with the chemical solution before using the unit.



Pressure within the equipment may cause an unexpected release of the chemical solution and cause serious injury such as burns, rashes, eye damage, throat or lung damage and death. Always disconnect the air line from the unit before performing any maintenance, and clean the unit after each use.

Using the unit with fluid temperatures above 100°F (37.8°C) may result in scalding, burns, serious injury or death. DO NOT use a solution with a temperature above 100°F (37.8°C).

Operating the unit when damaged or leaking may result in exposure to chemical solutions, serious injury or death. Never use the unit if it is damaged or leaking.



Using incoming air pressure exceeding 130 psi (8.9 bar) may result in pressure buildup, explosion, serious injury or death. DO NOT exceed 130 psi (8.9 bar) incoming air pressure when operating the unit.

Use of hydrocarbons and flammable products may result in explosions, fire and serious injury or death. Never use hydrocarbons or flammable products with the unit.

NOTICE

Servicing or modifying this unit with parts not listed in this manual may cause the unit to operate improperly. Do not use unauthorized parts when servicing the unit. This unit is for use with fully protective footwear only.

PROTECT THE ENVIRONMENT



Please dispose of packaging materials, old machine components, and hazardous fluids in an environmentally safe way according to local waste disposal regulations

Product Overview

Options

		Configurations
SS2	-	None (<i>standard</i>)
		Base with handle (BSH)
		Floor mount base with handle (FMH)
		Manual boot scrubber (MBS)

Add the bolded option codes to item number as shown. For standard units, no option code is needed.

Examples:

- SS2 (standard unit)
- SS2-BSH (unit with base and handle)
- SS2-FMH (unit with floor mount base and handle)
- SS2-MBS (unit with manual boot scrubber)

Requirements

Compressed air requirements	40 psi (2.8 bar) with 1 cfm (28.3 l/min)
Liquid temperature range	40-100°F (4.4-37.8°C)
Chemical compatibility	Chemical products used with this equipment must be formulated for this type of application and compatible with unit materials and pump seals. For more information on chemical compatibility, consult the manufacturer or SDS for your product or contact our customer service department.

Specifications

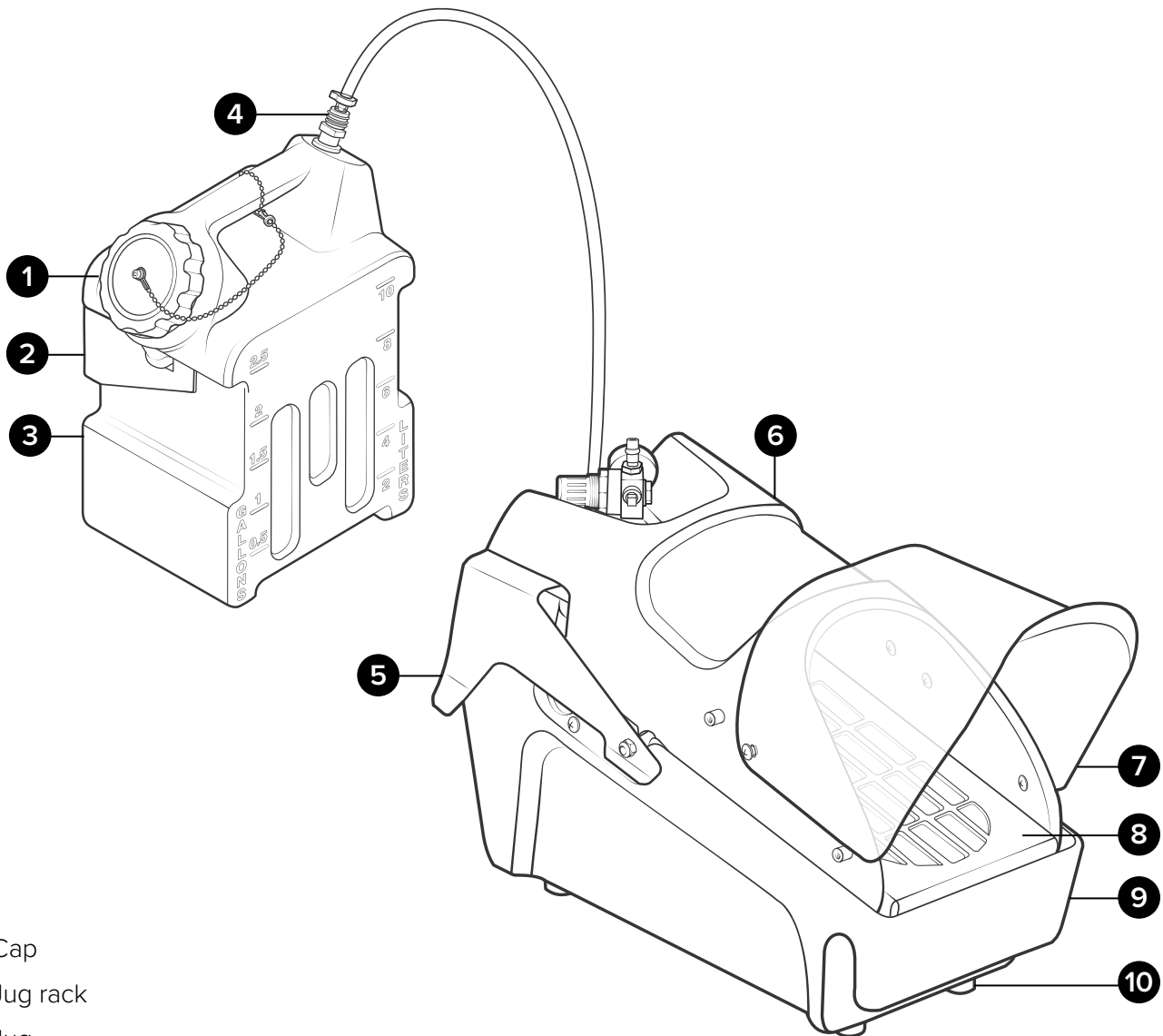
Power type	Compressed air
Chemical pickup type	Draws from pre-mixed solution
Number of products unit can draw from	One product
Suction line length/diameter	3 ft. (0.9 m) clear hose with ¼ in. (6.4 mm) inside diameter
Output volume*	0.2 oz (5.9 mL) per spray
Pump seals	Viton
Number of nozzles	4 nozzles

*Rates given are based on chemical with viscosity of water. These rates can vary based on viscosity of product.

Product Components

Get to know the SS2 components that you will need to use, adjust or assemble.

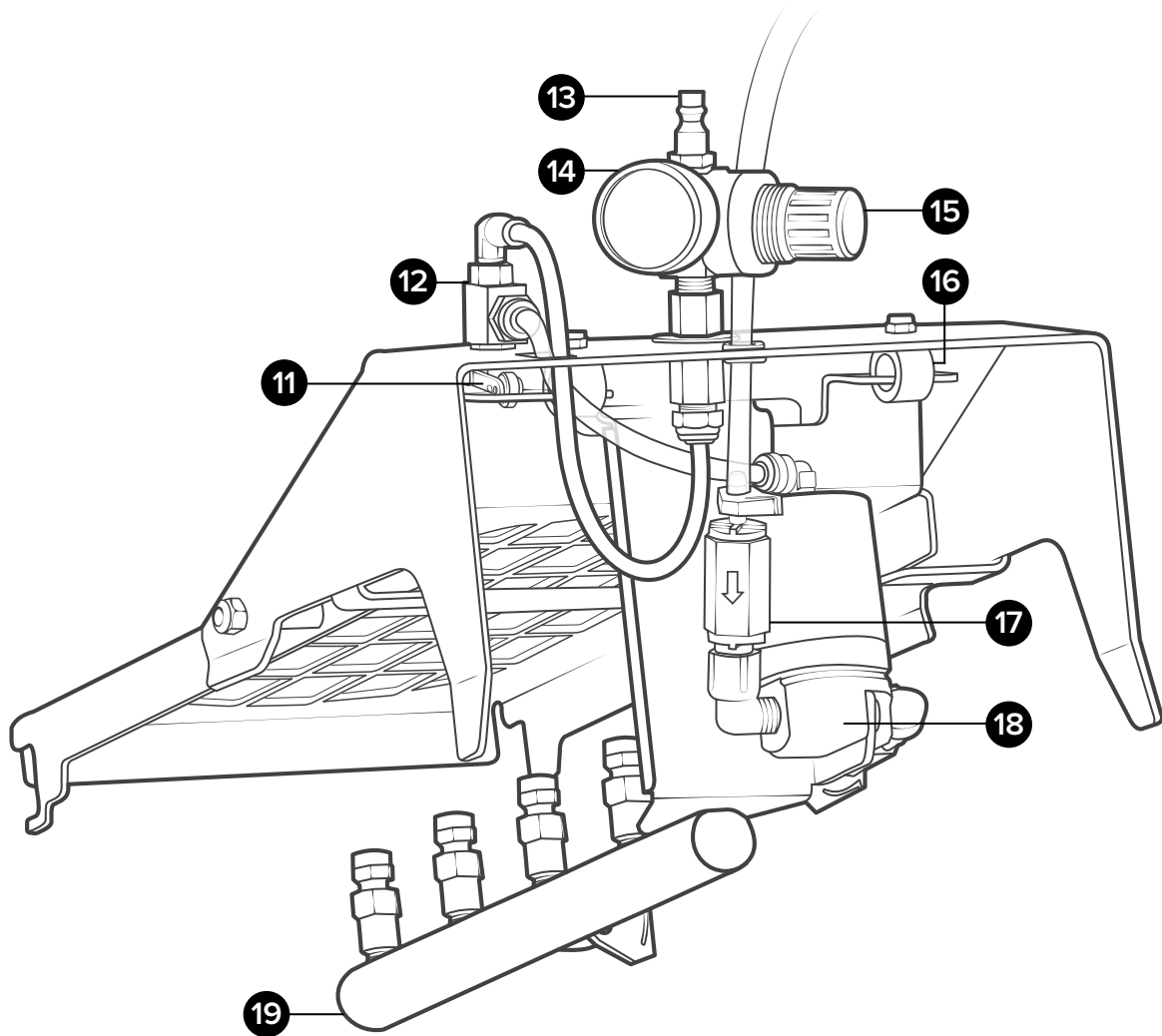
Front view



1. Cap
2. Jug rack
3. Jug
4. Suction assembly
5. Frame
6. Shroud
7. Spray guard
8. Foot grate
9. Housing
10. Rubber foot

Product Components

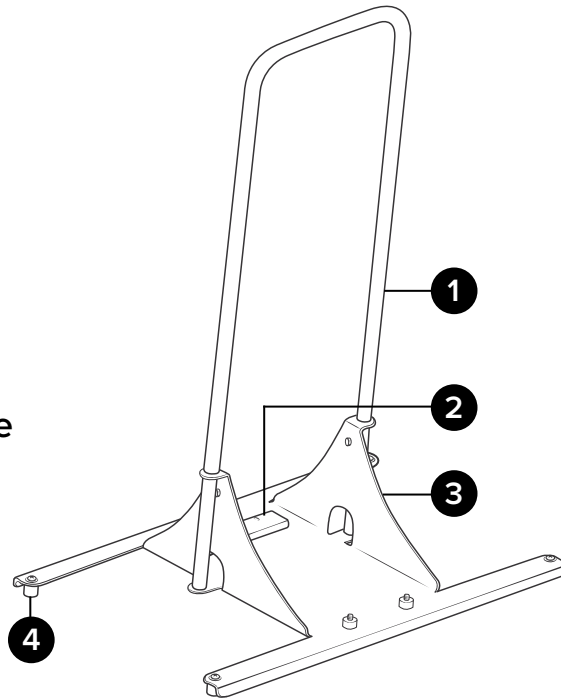
Mechanism assembly • Back view



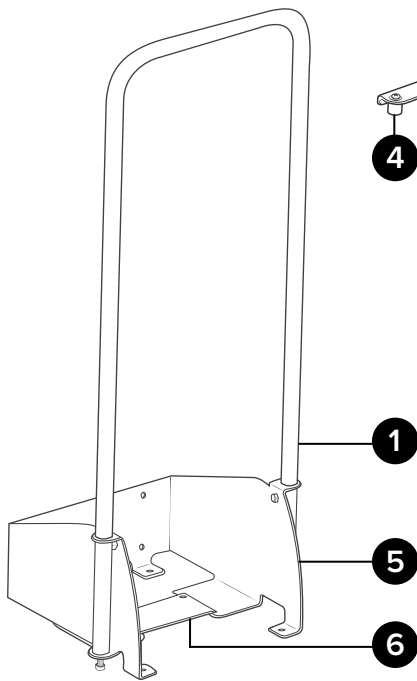
- 11. Roller cam
- 12. Air control valve
- 13. Air fitting
- 14. Air pressure gauge
- 15. Air regulator
- 16. Spring
- 17. Check valve
- 18. Fluid pump
- 19. Manifold

Product Components

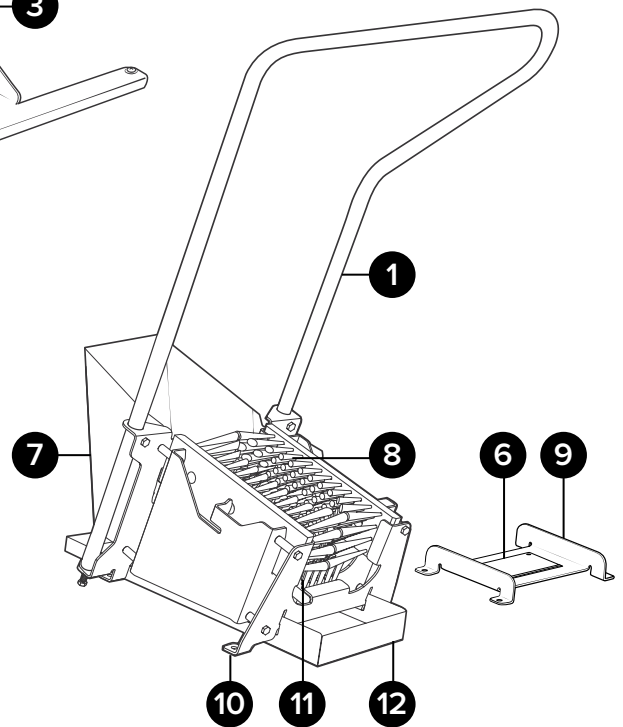
Base with handle



Floor mounted handle



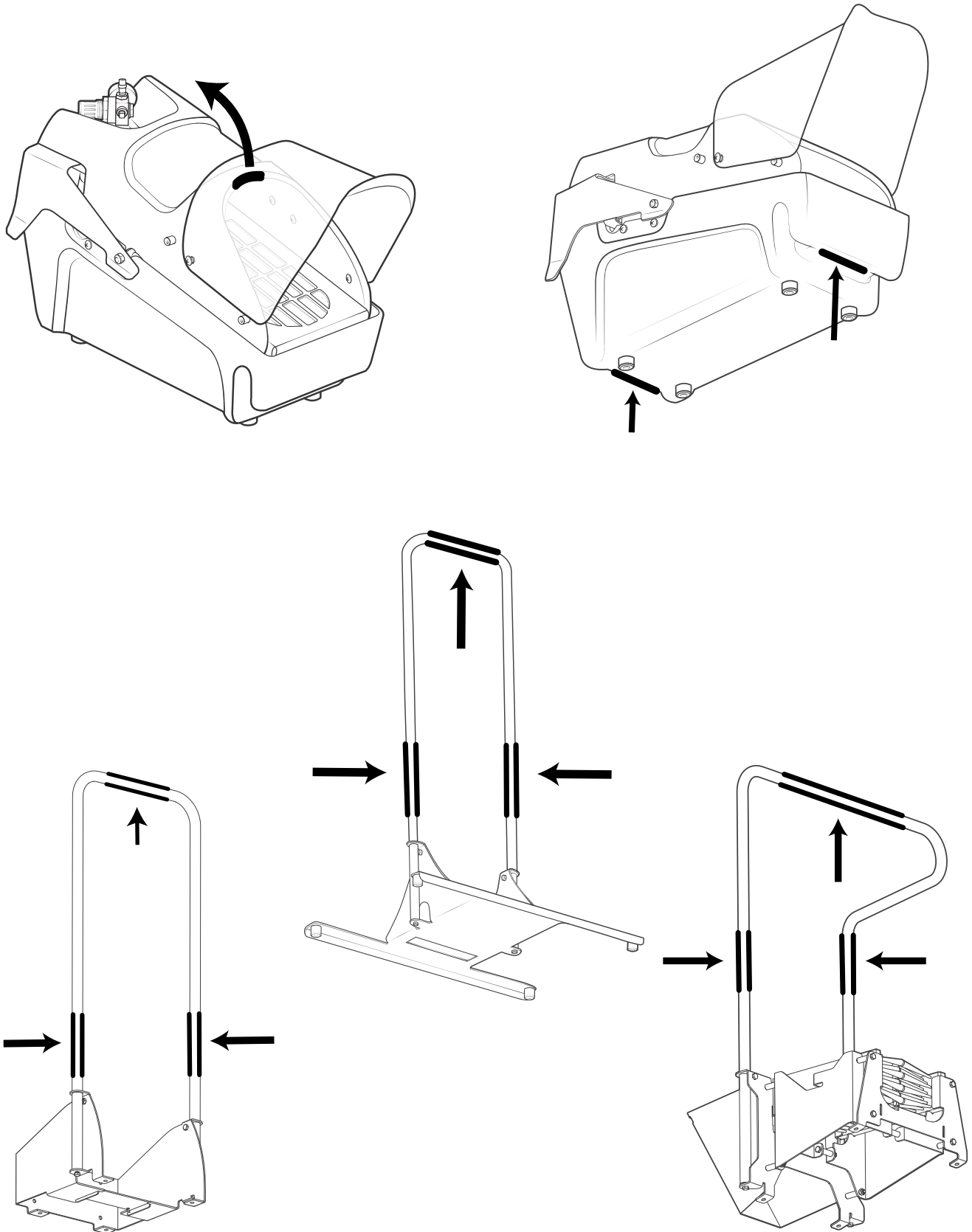
Manual boot scrubber



1. Handle
2. Base plate bracket
3. Base plate with handle
4. Rubber foot
5. Floor mount plate with handle
6. Floor mount plate bracket
7. Debris shield
8. Side brush
9. Floor mount plate
10. Boot scrubber base
11. Sole brush
12. Debris tray

Handling Your Unit

Use the following lift points for proper handling of your unit.



Using your unit

Installation Instructions

1. Position the unit in a suitable location.
2. If desired, mount the chemical jug to the wall using the provided mounting hardware and rack.

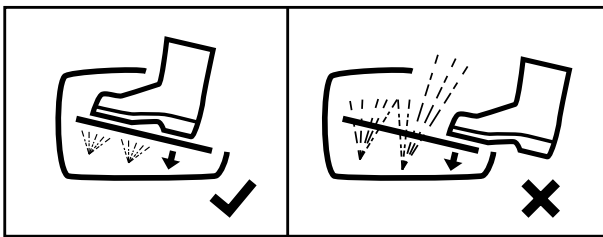
Note: To drill holes for plastic anchors, use a $\frac{5}{16}$ inch drill bit. Chemical jug should not be mounted higher than 30 in. (0.7 m) above the unit. Suction hose length should not exceed 8 ft. (2.4 m).

3. Connect air line to the air fitting.
4. Following all instructions from the chemical manufacturer, fill chemical jug with pre-mixed or ready to use chemical solution.
5. Connect the suction line to the jug suction fitting.
6. Prime the unit according to the priming Instructions included below.

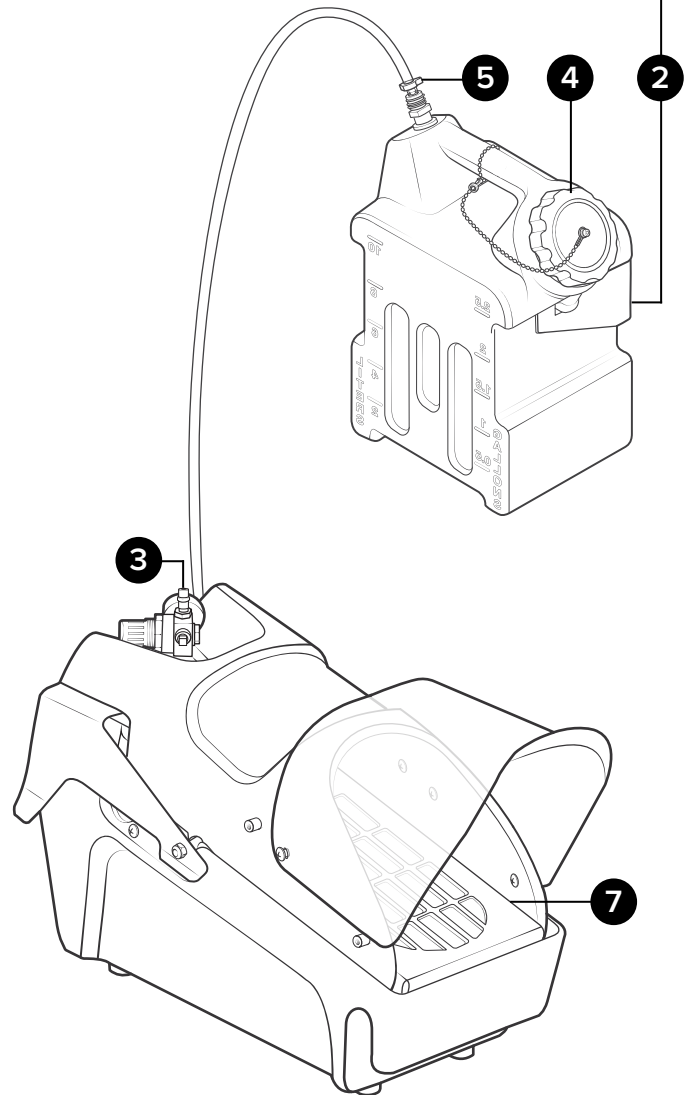
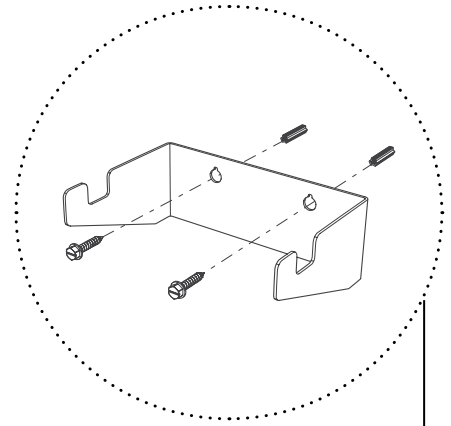
Operating Instructions

Note: This unit is for use with fully protective footwear only. Do not activate the unit if foot is not positioned correctly on the unit.

7. Verify chemical jug is full, and suction line is connected. Ensure nothing is loose or leaking.
8. To prime the unit, place foot on the grate and step down until all air has been purged from the suction line. See below for correct usage.



9. Check bottom of footwear for proper sanitizer application. The entire sole should be covered with a consistent spray pattern.
10. Once spray pattern is achieved, place other foot on the grate and step down to activate the spray.



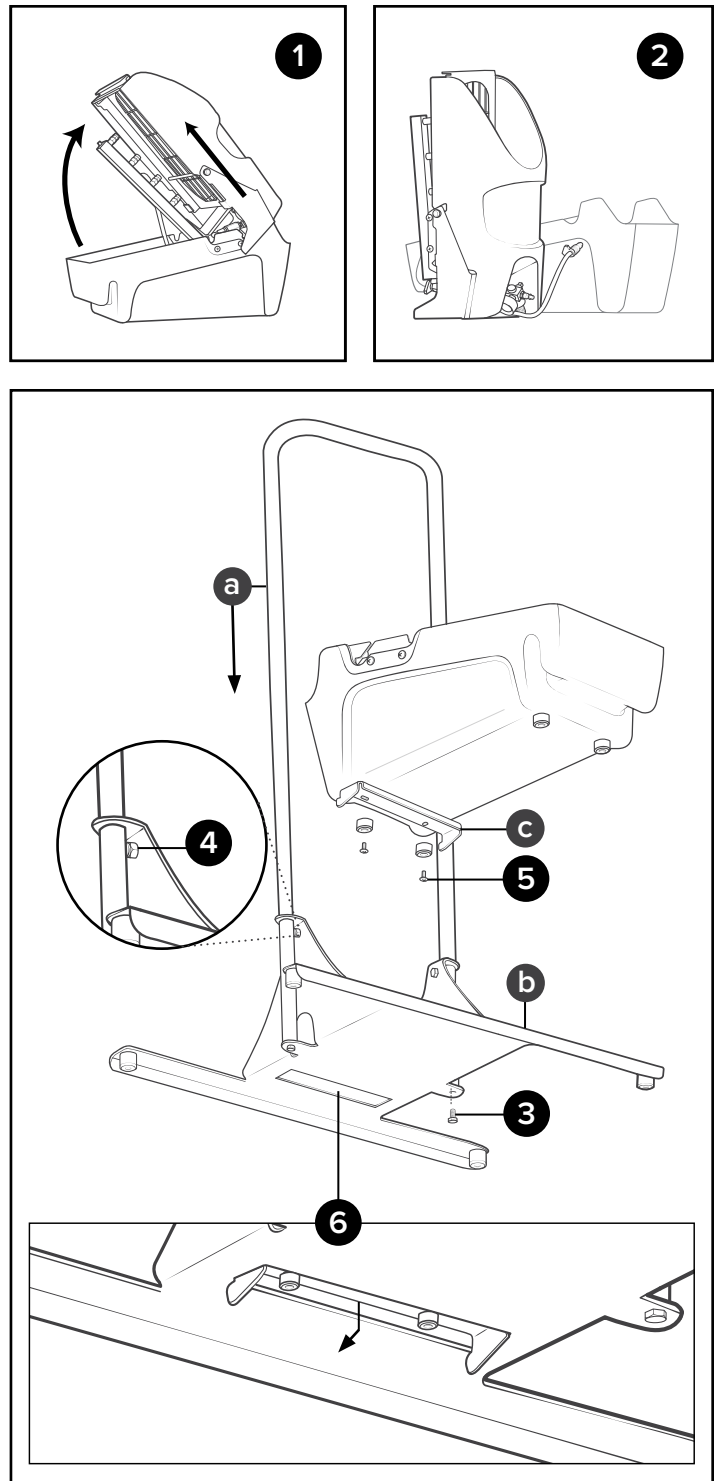
Using your unit

SS2-BSH

Installation Instructions

For SS2-BSH Unit:

1. Lift the shroud upwards to raise the top half of the unit. Then, slide the top half away from the bracket to detach it from the housing.
 2. Place the top half of the unit to the side.
- Note:** Stand the top half of the unit on short end. Setting the unit down in other position may cause damage to nozzle assembly.
3. Attach handle (a) by sliding it into base plate (b) and fasten with bolts on both ends.
 4. Secure the handle by tightening the bolt and lock nut on both sides.
 5. Install base plate bracket (c) to the bottom side of the housing.
 6. Slide the housing with attached bracket into the base plate (b). Ensure the unit is properly secured before operating.
 7. Reattach the top half of the unit by doing step 1 in reverse order.
 8. To prime and operate the unit, follow the **Operating Instructions** listed on previous page.



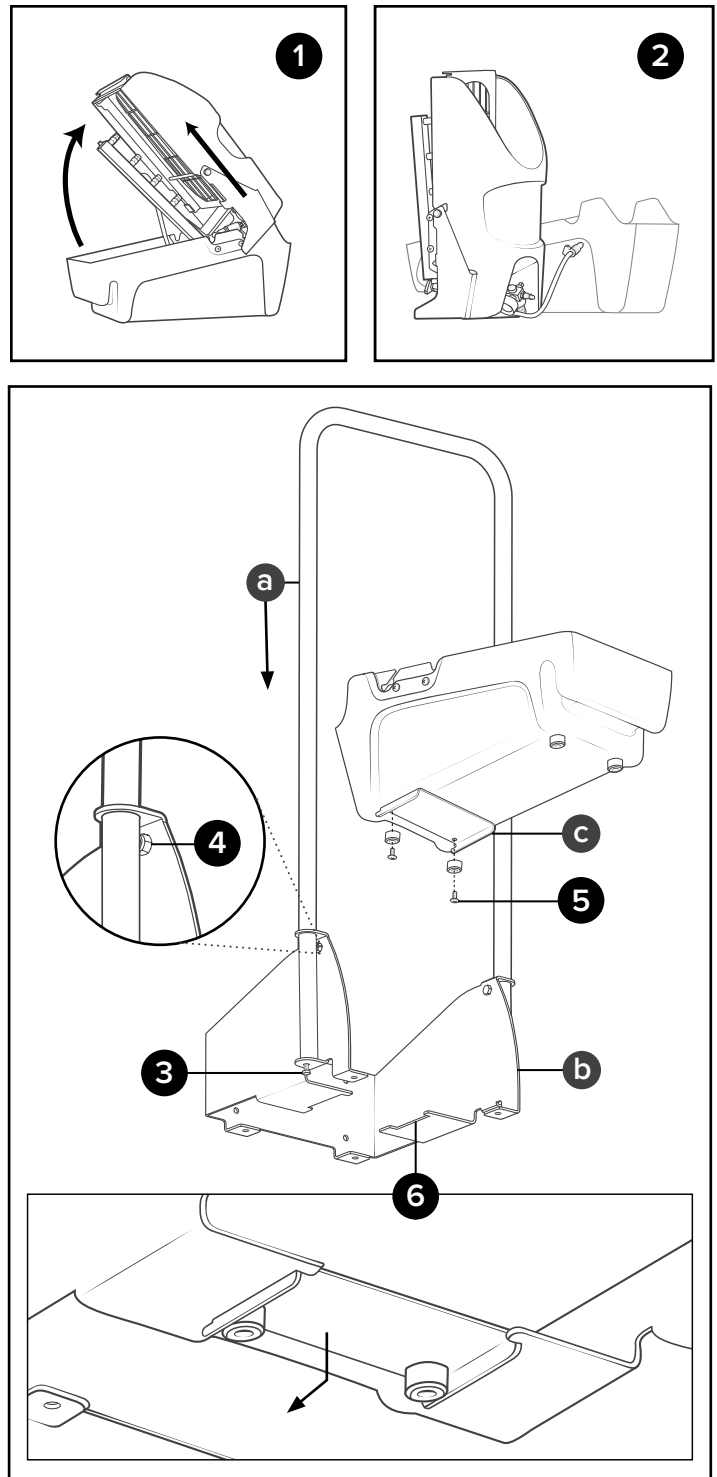
Using your unit

SS2-FMH

Installation Instructions

For SS2-FMH Unit:

1. Lift the shroud upwards to raise the top half of the unit. Then, slide the top half away from the bracket to detach it from the housing.
 2. Place the top half of the unit to the side.
- Note:** Stand the top half of the unit on short end. Setting the unit down in other position may cause damage to nozzle assembly.
3. Attach handle (a) by sliding it into base plate (b) and fasten with bolts on both ends.
 4. Secure the handle by tightening the bolt and lock nut on both sides.
 5. Install base plate bracket (c) to the bottom side of the housing.
 6. Slide the housing with attached bracket into the base plate (b). Ensure the unit is properly secured before operating.
 7. Reattach the top half of the unit by doing step 1 in reverse order.
 8. To prime and operate the unit, follow the **Operating Instructions** listed on page 8.



Using your unit

SS2-MBS

Installation Instructions

For SS2-MBS Unit:

1. Select desired location to place the unit.
2. Attach handle (a) by sliding it into boot scrubber base (b). Fasten with bolts on both ends.
3. Secure the handle by tightening the bolt and lock nut on both sides.

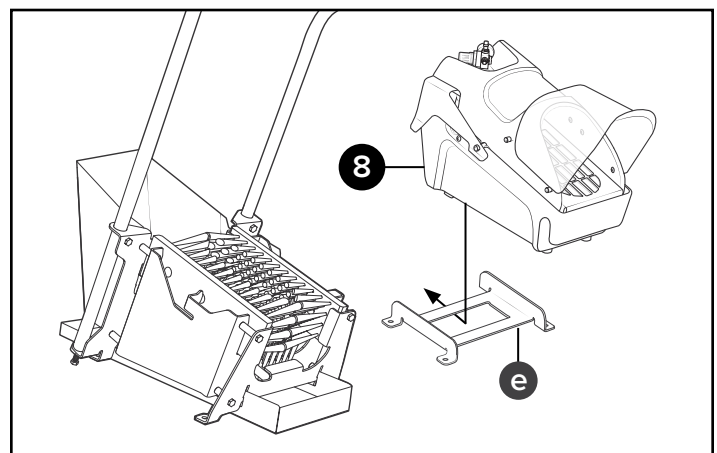
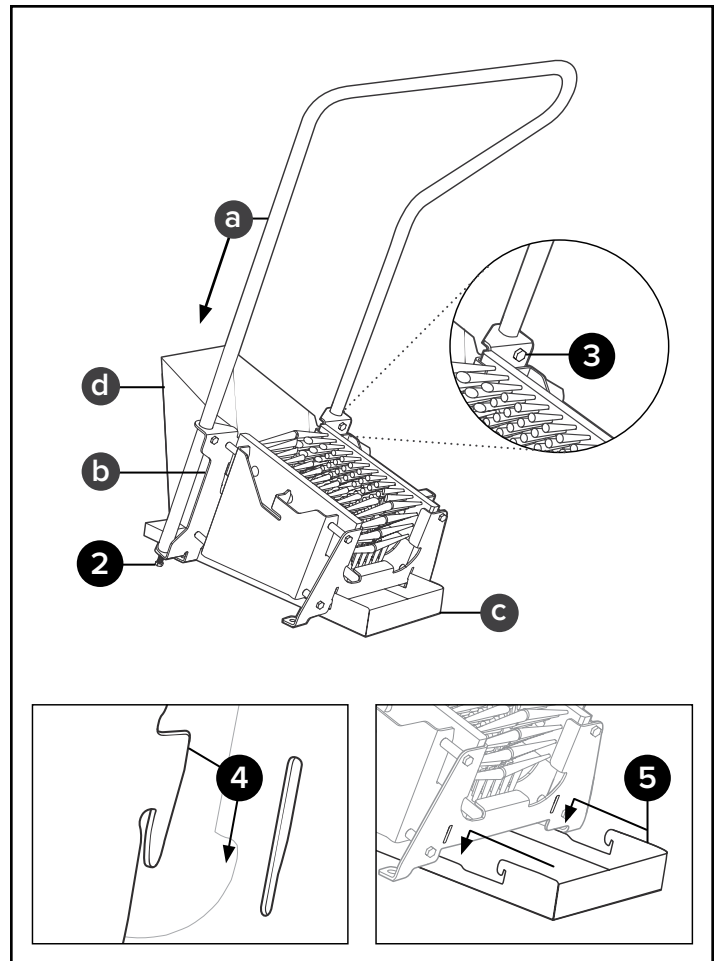
4. Connect debris shield (d) by sliding hooks into slots on the back of the boot scrubber frame

Note: Brushes must be removed before installing/uninstalling debris shield.

5. Slide debris tray (c) under the boot scrubber base (b). Lift up and hook tray into the front slots of the boot scrubber frame to secure.
6. If desired, the unit is designed for secure floor installation, and includes a floor mount plate. Mounting hardware not included.

Floor Mount Plate:

7. Position floor mount plate (e) next to the boot scrubber and secure to the floor. Mounting hardware not included.
8. Slide the unit with attached bracket onto the floor mount plate (e). Ensure the unit is properly secure before operating.
9. To prime and operate unit, follow the **Operating Instructions** listed on **page 8**.



Maintenance

⚠ WARNING

Performing any maintenance with the unit pressurized may result in serious injury. Before conducting any maintenance, always ensure the unit has been depressurized by disconnecting the air line on the unit. Servicing or modifying this unit with parts not listed in this manual may cause the unit to operate improperly. Do not use unauthorized parts when servicing the unit. Remember to reconnect air line, and re-prime the unit according to the priming instructions in the operation manual after performing any maintenance.

Maintaining Your Unit

To keep your unit operating properly, perform the following daily maintenance procedures:

For SS2, SS2-BSH, SS2-FMH, and SS2-MBS units:

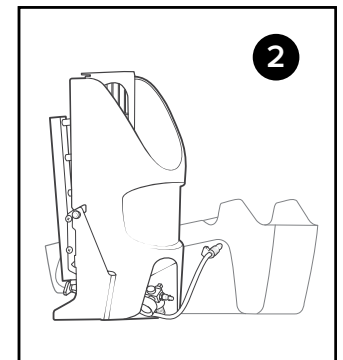
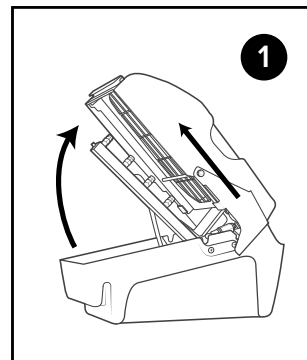
- Inspect the stainless foot grate for debris and clean when necessary.
- Collection basin should be emptied and cleaned each time the chemical supply container is changed or refilled. See **Collection basin cleaning instructions** for more information.
Note: During heavy use, over-spray can fill up basin. Be mindful of fluid levels not reaching above manifold, this can cause the unit to operate improperly.
- Verify nozzle assembly is free of any debris or blockage. Rinse with low pressure water if necessary.
- Check suction line and strainer for debris. Clean as needed.
- Inspect all tubing for leaks or excessive wear. Make sure all hose clamps and push fittings are in good condition and properly secured.

For SS2-MBS units only:

- Remove brushes by lifting them out from the brush bracket. Remove debris and clean. Brushes should be replaced every 6 months depending on wear.
- Slide out debris tray. Empty debris and wipe clean.
- Base assembly of unit is fully stainless and can be cleaned in place by method suitable for stainless steel.

Collection basin cleaning instructions:

1. Lift the shroud upwards to raise the top half of the unit. Then, slide the top half away from the bracket to detach it from the housing.
2. Place the top half of the unit to the side.
Note: Stand the top half of the unit on short end. Setting the unit down in other position may cause damage to nozzle assembly.
3. Empty and clean the collection basin.
4. Re-insert the top half of the unit by repeating step 1 in reverse order.



Servicing Your Unit

To service your unit, refer to the service manual which includes:

- Troubleshooting procedures.
- Detailed parts breakdowns and illustrations.
- Part numbers of serviceable components and assemblies.



Scan this code for
service manual

