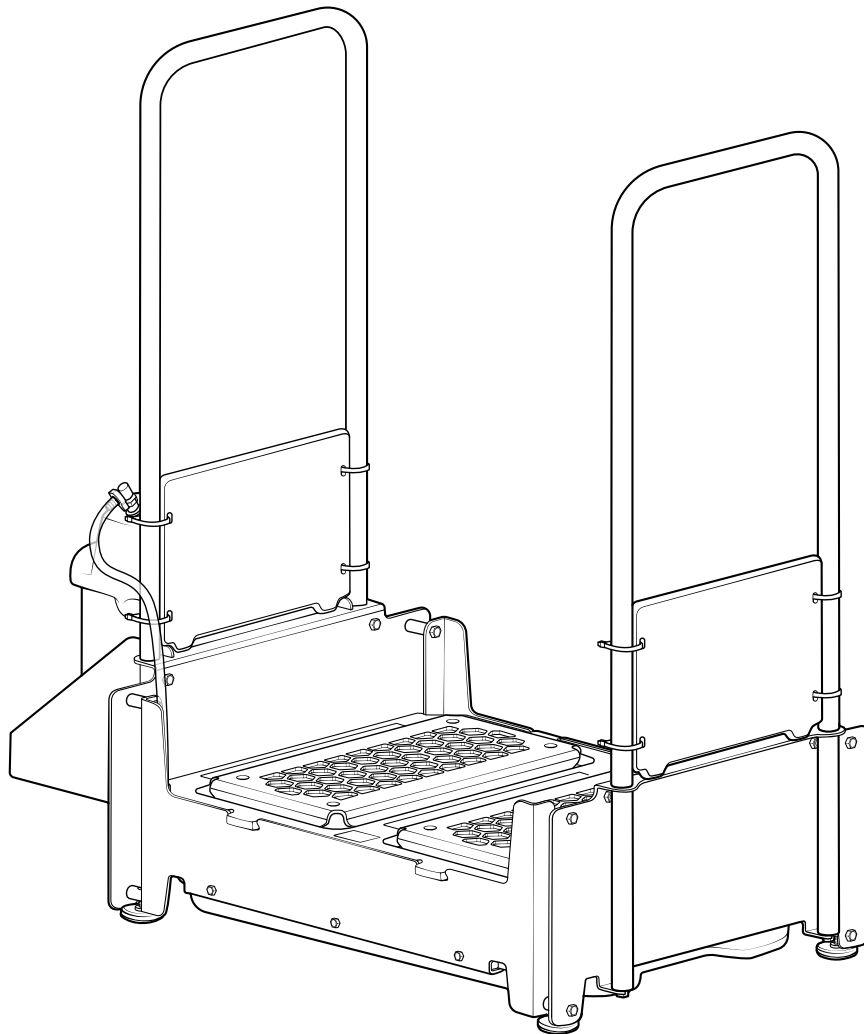


# Airless Walk-Through Footwear Sanitizing Unit

## Service Manual

SS5

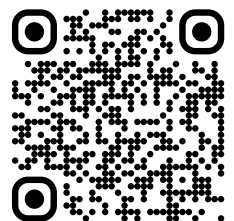


READ ALL INSTRUCTIONS BEFORE USING OR  
SERVICING THIS UNIT. KEEP THIS MANUAL IN A  
LOCATION THAT IS READILY AVAILABLE TO USERS  
AND SERVICE TECHNICIANS.

English (Original Instructions)



Scan this code for  
service manual



# Safety

## ! WARNING

PEOPLE OR OBJECTS CAN BE HURT OR DAMAGED IF THIS UNIT IS NOT USED CORRECTLY!



Failure to read all the instructions before operating the unit may result in personal injury or death from the improper use or chemical solution. Anyone handling, operating or using the unit must read and understand the instructions in the manual. The buyer assumes all responsibility for safety and proper use in accordance with the instructions.



Using or servicing the unit without appropriate personal protective equipment (PPE) may result in serious injury such as burns, rashes, eye, throat or lung damage and death. Always wear PPE as indicated in the Safety Data Sheet (SDS) when using or servicing the unit. Protect eyes, skin, and lungs against drifting spray.



To prevent chemical spray to face and eyes, ensure full foot insertion into unit and press down with heel. All protective gear must be worn as directed by the chemical manufacturer, SDS, and any applicable local safety regulations (OSHA, EU Directives, etc..)

This unit is for use with fully protective footwear only. This unit is designed to help sanitize footwear at transition zones with a focus on reduced moisture. This unit is intended to sanitize shoe soles and not intended for any other use.



Chemical solutions may pose a health risk and death if they contact the skin or eyes, are inhaled or swallowed. Always read and follow all chemical safety precautions and handling instructions provided by the chemical manufacturer and the SDS associated with the chemical solution before using the unit.



Pressure within the equipment may cause an unexpected release of the chemical solution and cause serious injury such as burns, rashes, eye damage, throat or lung damage and death. Always disconnect the suction line from the chemical supply container before performing any maintenance. Clean the unit after each use.

Using the unit with fluid temperatures above 100°F (37.8°C) may result in scalding, burns, serious injury or death. DO NOT use a solution with a temperature above 100°F (37.8°C).



Operating the unit when damaged or leaking may result in exposure to chemical solutions, serious injury or death. Never use the unit if it is damaged or leaking.

Use of hydrocarbons and flammable products may result in explosions, fire and serious injury or death. Never use hydrocarbons or flammable products with the unit.

## NOTICE

Servicing or modifying this unit with parts not listed in this manual may cause the unit to operate improperly. Do not use unauthorized parts when servicing the unit. This unit is for use with fully protective footwear only.

## PROTECT THE ENVIRONMENT



Please dispose of packaging materials, old machine components, and hazardous fluids in an environmentally safe way according to local waste disposal regulations

# Service Guide

## WARNING

Performing any maintenance with the unit pressurized may result in serious injury. Before conducting any maintenance, always ensure the unit has been depressurized by disconnecting the suction line from the chemical supply container. Servicing or modifying this unit with parts not listed in this manual may cause the unit to operate improperly. Do not use unauthorized parts when servicing the unit. Remember reconnect the suction line and re-prime the unit according to the priming instructions in the operation manual after performing any maintenance.

## Maintaining Your Unit

To keep your unit operating properly, perform the following daily maintenance procedures:

- Inspect the stainless foot grate for debris and clean when necessary.
- Catch tray should be emptied and cleaned each time the chemical jug is changed or refilled. See **Catch tray cleaning instructions** in the Operation Manual for more information. (p.6)
- **Note:** During heavy use, over-spray can fill the catch tray. Be mindful of fluid levels not spilling over the catch tray.
- Verify nozzle assembly is free of any debris or blockage. Rinse with low pressure water if necessary.
- Check suction line and strainer for debris. Clean as needed.
- Inspect all tubing for leaks or excessive wear.
- Ensure all hose clamps and push fittings are in good condition and properly secured.

## Servicing Your Unit

Most repairs on the unit can be performed with the following tools:

- $\frac{7}{16}$  in. (11 mm) socket wrench
- $\frac{1}{2}$  in. (13 mm) socket wrench
- #3 Phillips head screwdriver
- #2 Phillips head screwdriver
- Crescent wrench (2x)
- Thread seal tape
- Hose cutters
- Knife

# Troubleshooting Your Unit

If your unit is not operating properly, try using these troubleshooting tips:

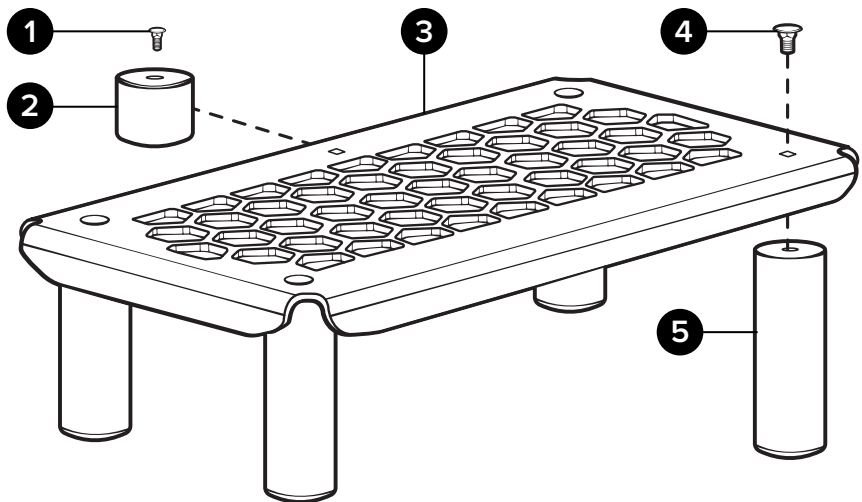
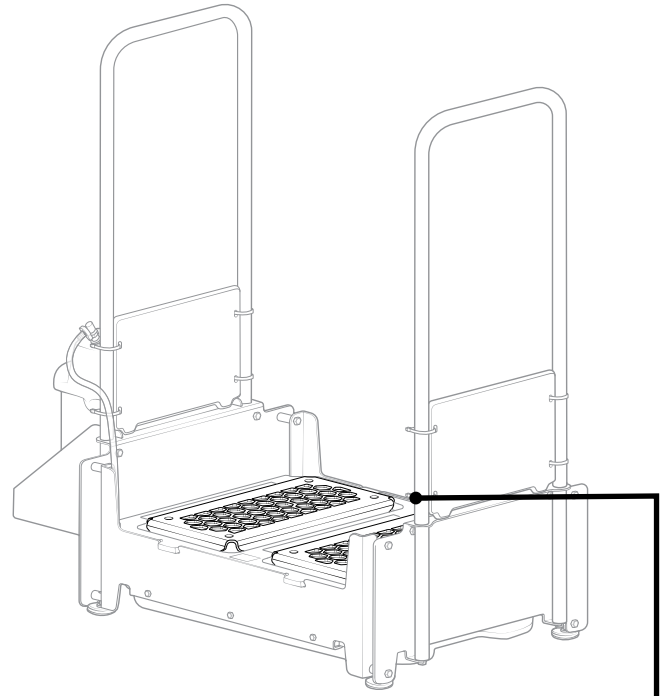
Issue	Solution
If unit does not spray	<ul style="list-style-type: none"><li>• If the pump is cycling, but unit does not spray, the pump may be air locked.</li><li>• Check the suction line and strainer for debris and clean if necessary.</li><li>• Verify springs in the pump are not broken.</li><li>• Ensure the chemical jug is vented and filled appropriately.</li><li>• Verify nothing is blocking or impeding the full motion of the mechanism.</li><li>• Confirm check valves are operating correctly and replace if needed.</li><li>• Ensure the pump cover plunger is not broken.</li><li>• Verify the o-ring in the pump is not leaking. Replace if necessary.</li></ul>
If unit sprays irregularly	<ul style="list-style-type: none"><li>• Verify the pumps are cycling regularly. Pumps can be disassembled and the o-rings can be re-lubricated with a silicone-based lube.</li><li>• Ensure the springs in the pump are not broken.</li><li>• Check the spray tips and make sure they are not clogged or blocked by debris. Remove and clean the tips if necessary.</li><li>• Ensure the chemical jug is vented and filled appropriately.</li><li>• Check for air leaking into the suction line. Repair or replace as needed.</li></ul>
If unit does not hold a prime	<ul style="list-style-type: none"><li>• Check hose clamps and ensure that barbs are secure.</li><li>• Check all tubing connections and verify none are loose, broken, or leaking.</li></ul>

# Grate Assembly

## GRTA-SS5:

Grate assembly for SS5 - includes fluid pump cover and 4x linear guide sleeves

Item number	Description
1 B83258-C	Bolt - 8-32 x 5/8 in. - stainless steel - carriage bolt
2 FLDPMP-CVR-SS5	Fluid pump cover - SS5
3 GRT-SS5	Grate - SS5 - stainless steel
4 B142012-C	Bolt - 1/4-20 x 1/2 in. - stainless steel - carriage bolt
5 LNRGD-SLV-SS5	Linear guide sleeve - SS5 - UHMW-PE



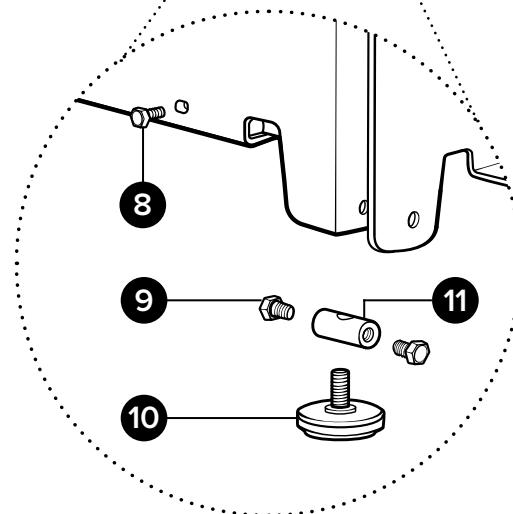
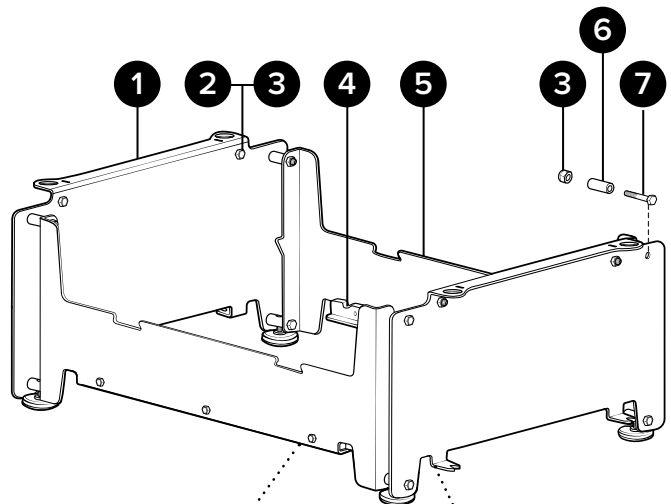
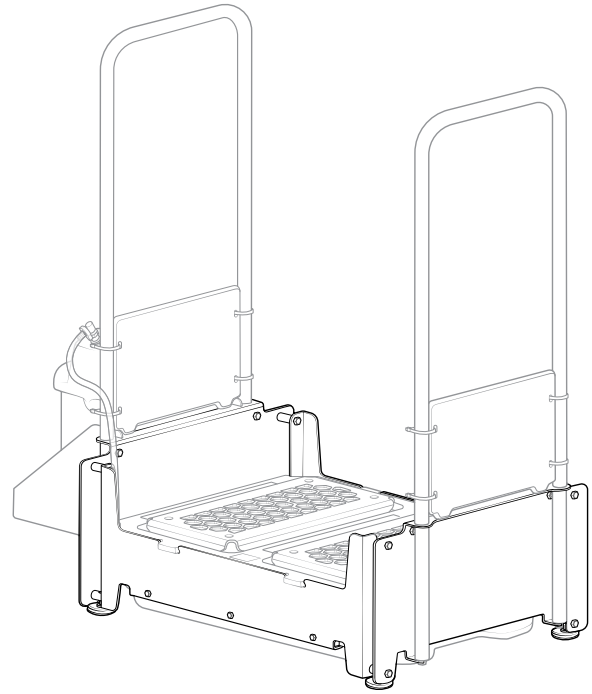
GRTA-SS5

# Frame Assembly

## FRMA-SS5:

Frame assembly for SS5 - includes leveling feet

Item number	Description
1	BRKT-FRMSD-SS5 Bracket - side frame - SS5
2	B5161834-HH Bolt - $\frac{5}{16}$ -18 x $\frac{3}{4}$ in. - stainless steel - hex head
3	LN516 Locknut - $\frac{5}{16}$ -18 - stainless steel - nylon insert
4	PL-CHSLCTR-SS5 Plate - chassis locator - SS5
5	BRKT-FRMFRT-SS5 Bracket - front frame - SS5
6	SPC58X112 Spacer - $\frac{5}{8}$ in. od x 1 $\frac{1}{2}$ in. long - for $\frac{5}{16}$ -18 bolt - stainless steel
7	B51618214-HH Bolt - $\frac{5}{16}$ -18 x 2 $\frac{1}{4}$ in. - stainless steel - hex head
8	B142058-HH-VS Bolt - $\frac{1}{4}$ -20 x $\frac{5}{8}$ in. - stainless steel - hex head - Vibra-Seal
9	B5161812-HH Bolt - $\frac{5}{16}$ -18 x $\frac{1}{2}$ in. - stainless steel - hex head
10	LVFT220 Leveling foot - $\frac{3}{8}$ -16 threads stainless - 220 lb. capacity
11	SPC58X112-3816 Spacer - $\frac{5}{8}$ in. od x 1- $\frac{1}{2}$ in. long - for $\frac{5}{16}$ -18 bolt - $\frac{3}{8}$ -16 through hole - stainless steel



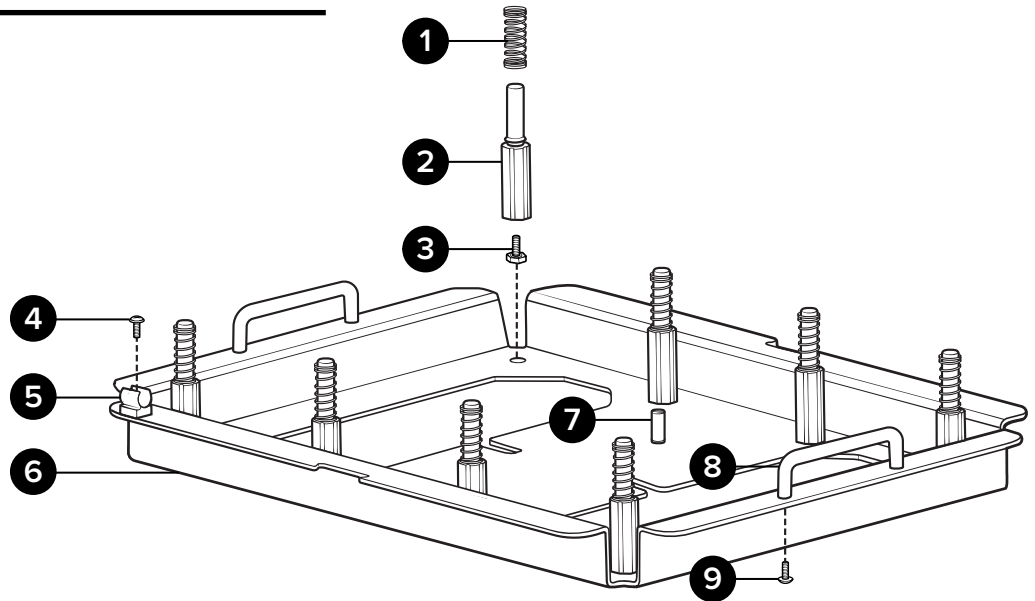
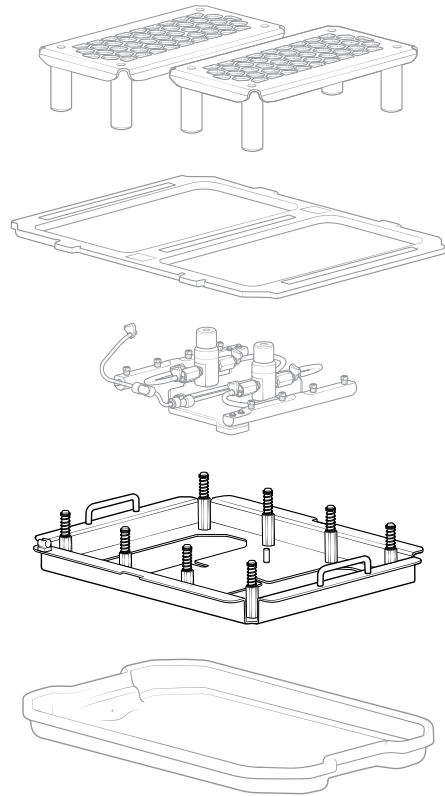
FRMA-SS5

# Chassis Assembly

## CHSA-SS5:

Chassis assembly for SS5 - includes 8x linear guide rods and springs

Item number	Description
1	SPG-LNRGD-SS5 Spring - SS5 - linear guide rod compression - stainless steel
2	LNRGD-ROD-SS5 Linear guide rod - SS5 - stainless steel
3	B142058-HH-VS Bolt - ¼-20 x ⅝ in. - stainless steel - hex head - Vibra-Seal
4	B83212-PH Bolt - 8-32 x ½ in. - stainless steel - pan head Phillips
5	CLPTB38 Clip - polypropylene - for ⅜ in. od tube
6	CHS-SS5 Chassis - SS5
7	SO8321 Standoff - 8-32 x 1 in. long
8	HNDL-5X138 Handle - 5 in. W x 1 ⅜ in. H
9	B83212-PH Bolt - 8-32 x ½ in. - stainless steel - pan head Phillips



CHSA-SS5

# Caddy Assembly

## PLA-CDY-SS5:

Caddy plate assembly for SS5 - includes 2x fluid pump and manifold assemblies

## PMPA-FLD-SS5-WF:

Fluid pump assembly for SS5 - includes tubing, fittings, and check valves

Item number	Description	
1	H14CL-PV	1/4 in. id 3/8 in. od clear hose - PVC - available per ft
2	CLMPTB38	Clamp - plastic - for 3/8 in. od tube - adjustable
3	CV14M14HB	Check valve - PVC - 1/4 MNPT x 1/4 barb - 302SS spring - Viton seals - air flow left
4	PMPA-FLD-SS5	Pump assembly - SS5 - fluid - includes spring and seals

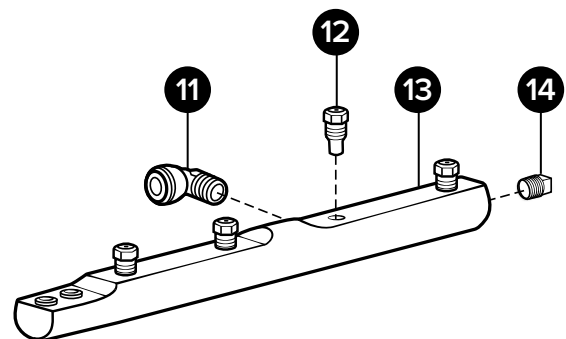
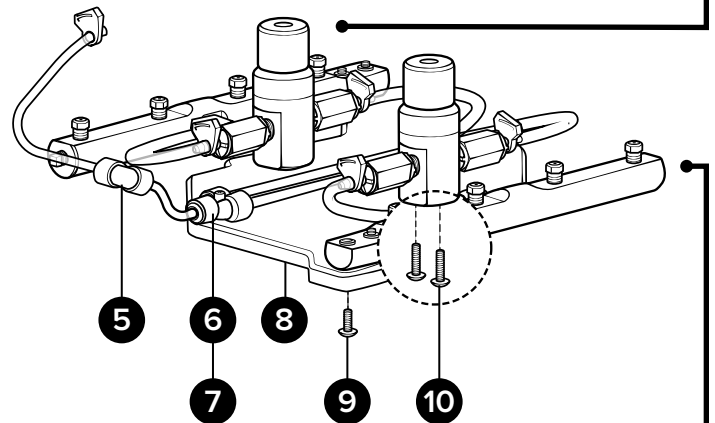
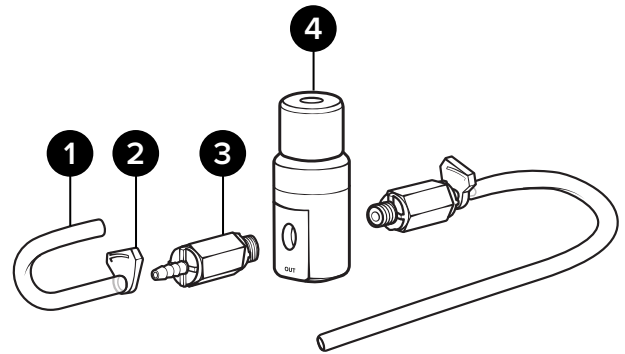
Item number	Description	
5	QFEL38	Quick fit elbow 3/8 in. tube - polypropylene
6	QFY38	Quick fit Wye 3/8 in. tube - polypropylene
7	S6114-HL	Screw - #6 x 1 1/4 in. - stainless steel - round head Phillips - Hi-Lo thread
8	PL-CDY-SS5	Plate - caddy - SS5
9	B1420112	Bolt - 1/4-20 x 1 1/2 in. - stainless steel - truss head Phillips
10	B14201	Bolt - 1/4-20 x 1 in. - stainless steel - truss head Phillips

## MNA-SS4

Manifold assembly - includes SS misting nozzles, fitting, and plug

Item number	Description	
11	QFEL1438	Fixed elbow 1/4 in. MPT x 3/8 in. tube - polypropylene
12	QCPP-SCKT-PM	Quick connect socket - PP body with Hastelloy spring - barb for 3/8 in id hose
13	MN-SS4	Manifold - SS4 - 1/8 in. NPT - 6 ports UHMW - includes 2x 1/4-20 inserts
14	FCMNSS804	Full cone misting nozzle - stainless - 80 degree - 4 gph

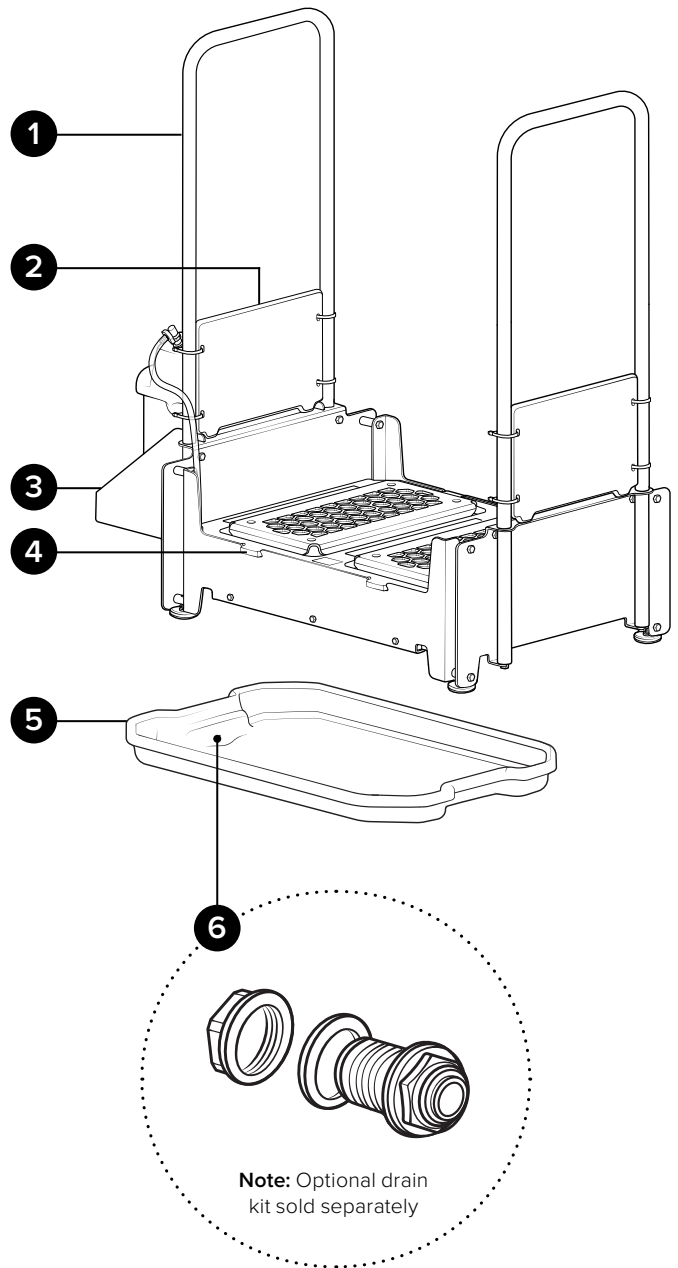
## PMPA-FLD-SS5-WF



## MNA-SS4

# Additional Components

Item number	Description
1	HNDL-FS Handle bar - footwear sanitizer stainless steel
2	PL-SPGRD-SS5 Plate - spray guard - SS5
3	BRKT-SHF-SS5 Bracket - jug shelf - SS5
4	PLA-INLAY-SS5 Plate assembly - inlay - SS5 - includes labels
5	TRAY-SS5 Tray for SS5 - HDPE
6	CK-DRN- TRAY-SS5 Conversion kit - components to add drain to SS5 tray



# Jug Assembly

## JGA-2.5N-CPBK-SEL:

2.5 gallon natural\* chemical jug assembly - includes black\* vented cap - suction and elbow hose barb

## CPA-35BK-VNT-CHN:

Cap assembly - 3.5 in. polypropylene - black\* - vented - Includes check valve, SS bead chain tether, and gasket

Item number	Description
1	B103234-SH-VNT Bolt - 10-32 x 3/4 in. - stainless steel - socket head - vented
2	CP-35BK Cap - 3.5 in. - polypropylene black*
3	CHNA-CP35 Chain assembly - bead chain with screw mount links - for CP-35 cap to jug
4	CV-CP35 Check valve - black EPDM
5	GSKT-CP35 Gasket - EPDM - for 3.5 in. cap

Item number	Description
6	QCPP-PLG-HBEL14 Quick connect plug - PP body - check valve with Hastelloy spring - elbow barb for 1/4 in. id hose
7	JG-2.5N 2.5 gal natural* chemical jug

\* Additional colors available, see datasheet for options.

## SCTNA-JG-2.5-NB:

Suction assembly - 2.5 gal chemical jug - includes hose and foot strainer, PP quick connect socket - no hose barb

Item number	Description
8	SCTNA-JG-2.5-NF Suction assembly - 2.5 gallon chemical jug - hose and foot strainer - no fittings
9	QCPP-SCKT-PM Quick connect socket - PP body with Hastelloy spring - barb for 3/8 in id hose - 1/16-24 panel mount threads

## CPA-35BK-VNT-CHN

